

Water Drop

➔ **FLAMINIA.**

design **LUCA CIMARRA**

2005

DR80 Water Drop 80

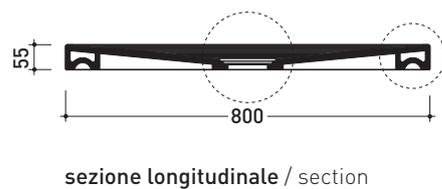
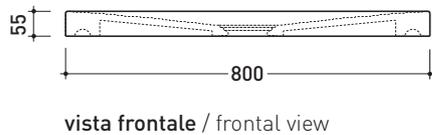
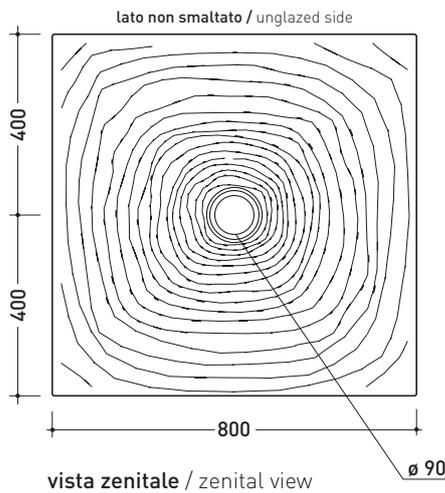
Laid on or built-in in the floor shower tray 80x80 cm
(ø 90mm drainage system not included)

Complements: **BAMB00 composable shower box**
Line taps shower: ONE - NOKE' - SI - FOLD
Line accessories: TWO - HOOP - NOKE' - FOLD

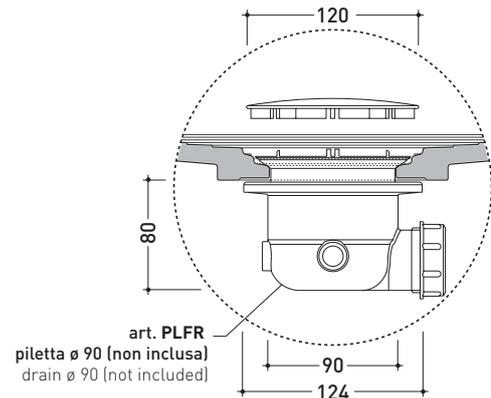
Technical accessories: **drainage system ø 90mm (PLFR)**

Package dim. **80,5 x 55 x 83 cm** | Weight **33 kg** | Pz. Pallet n° **10**

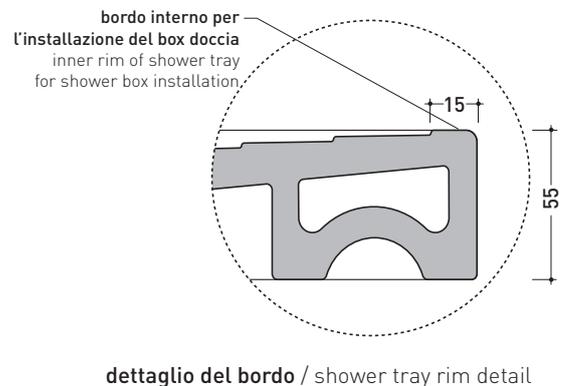
CE UNI EN 14527 Dop-No14527



PILETTA CONSIGLIATA / SUGGESTED DRAIN



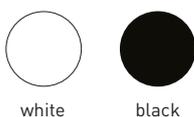
Piletta sifonata / Drainage
Portata / Flow rate: **0,52 l/sec** (EN 274 > 0,4 l/sec)



sizes in mm

Please consider a 2% tolerance on indicated measurements

CERAMIC: glossy finish



matt finish



iridescent finish



<http://www.ceramicaflaminia.it/en/products/329-water-drop>

©ceramicaflaminiaspa - All rights reserved. Unauthorized copying, publication, reproduction as well as partial reproduction are prohibited

february 2017



Water Drop

➔ **FLAMINIA.**

design **LUCA CIMARRA**

2005

DR8010 Water Drop 100x80

Laid on or built-in in the floor shower tray 80x100 cm
(\varnothing 90mm drainage system not included)

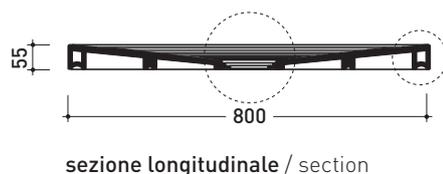
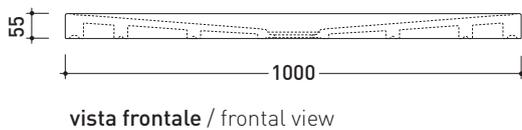
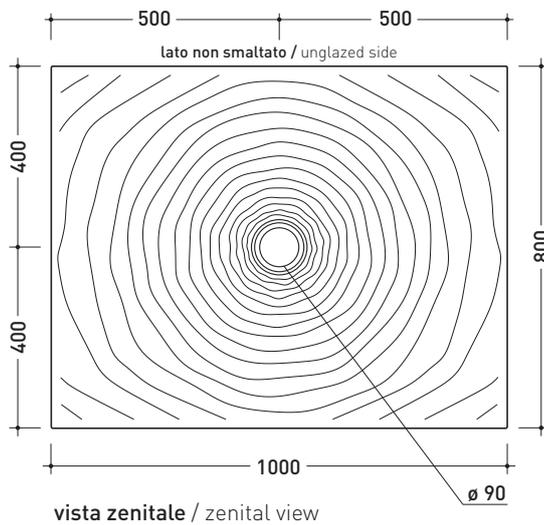
Complements: **BAMB00 composable shower box**
Line taps shower: ONE - NOKE' - SI - FOLD
Line accessories: TWO - HOOP - NOKE' - FOLD

Technical accessories: **drainage system \varnothing 90mm (PLFR)**

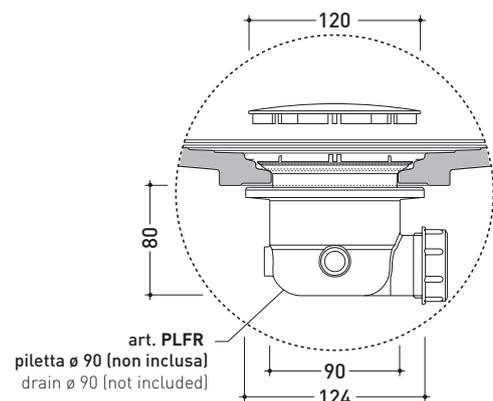
Dim. Imballo	Peso	Pz. Pallet n°
--------------	------	---------------



CE UNI EN 14527 Dop-No14527

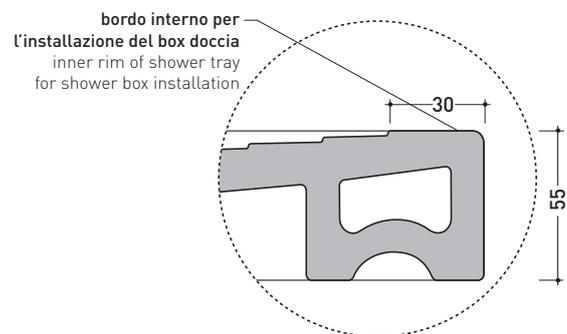


PILETTA CONSIGLIATA / SUGGESTED DRAIN



art. PLFR
 piletta \varnothing 90 (non inclusa)
 drain \varnothing 90 (not included)

Piletta sifonata / Drainage
Portata / Flow rate: 0,52 l/sec (EN 274 >0,4 l/sec)



sizes in mm

Please consider a 2% tolerance on indicated measurements

Water Drop

➔ **FLAMINIA.**

design **LUCA CIMARRA**

2005

DR120 Water Drop 120

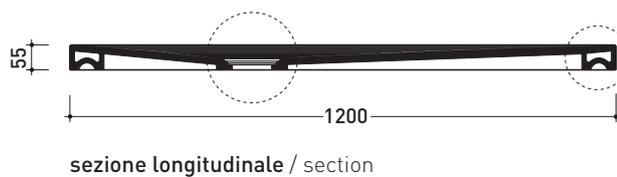
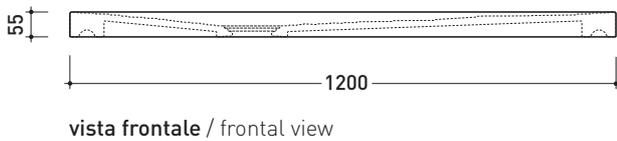
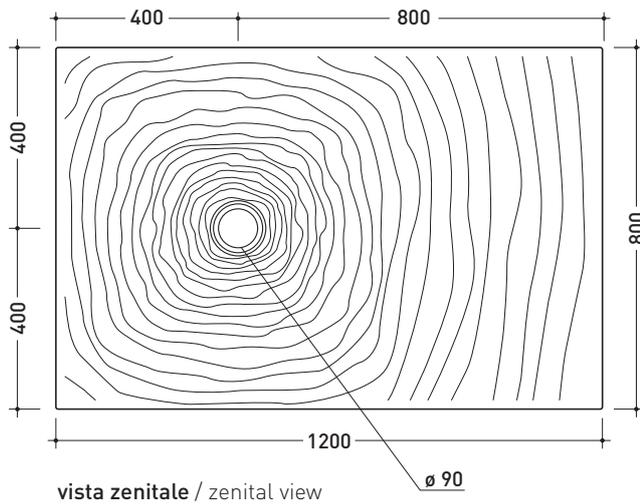
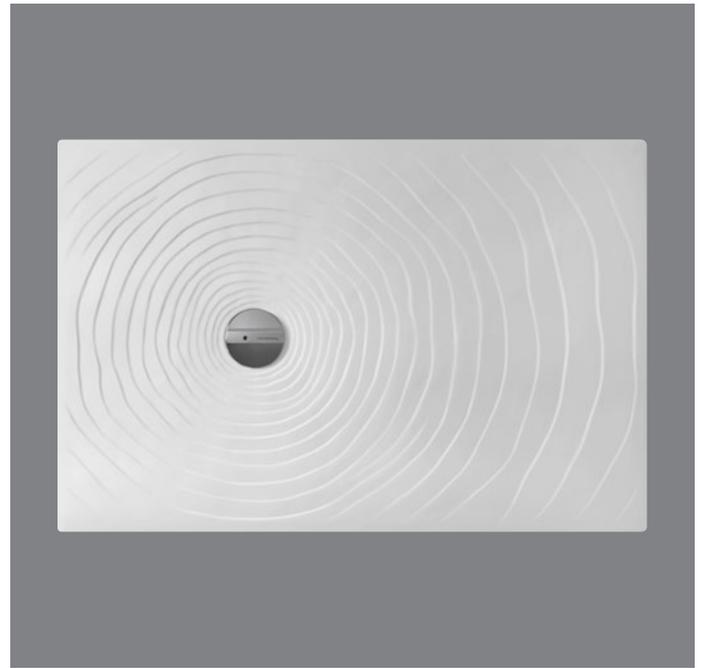
Laid on or built-in in the floor reversible shower tray 120x80 cm
(ø 90mm drainage system not included)

Complements: **BAMB00 composable shower box**
Line taps shower: ONE - NOKE' - SI - FOLD
Line accessories: TWO - HOOP - NOKE' - FOLD

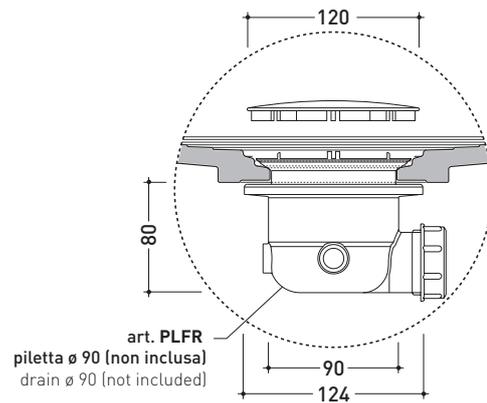
Technical accessories: **drainage system ø 90mm (PLFR)**

Package dim. **120,5 x 55 x 83 cm** | Weight **50 kg** | Pz. Pallet n° **10**

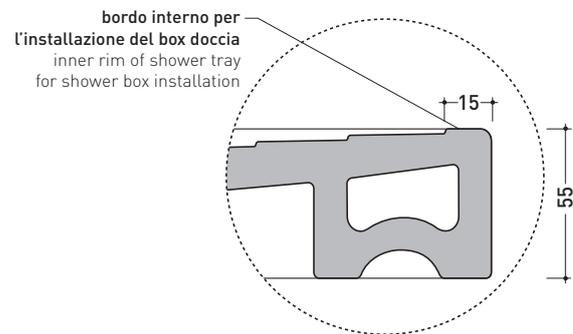
CE UNI EN 14527 Dop-No14527



PILETTA CONSIGLIATA / SUGGESTED DRAIN



Piletta sifonata / Drainage
 Portata / Flow rate: **0,52 l/sec** (EN 274 > 0,4 l/sec)

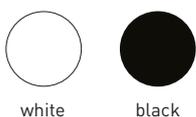


dettaglio del bordo / shower tray rim detail

sizes in mm

Please consider a 2% tolerance on indicated measurements

CERAMIC: glossy finish



matt finish



iridescent finish



<http://www.ceramicaflaminia.it/en/products/329-water-drop>

©ceramicaflaminiaspa - All rights reserved. Unauthorized copying, publication, reproduction as well as partial reproduction are prohibited

february 2017



Water Drop

➔ **FLAMINIA.**

design **LUCA CIMARRA**

2016

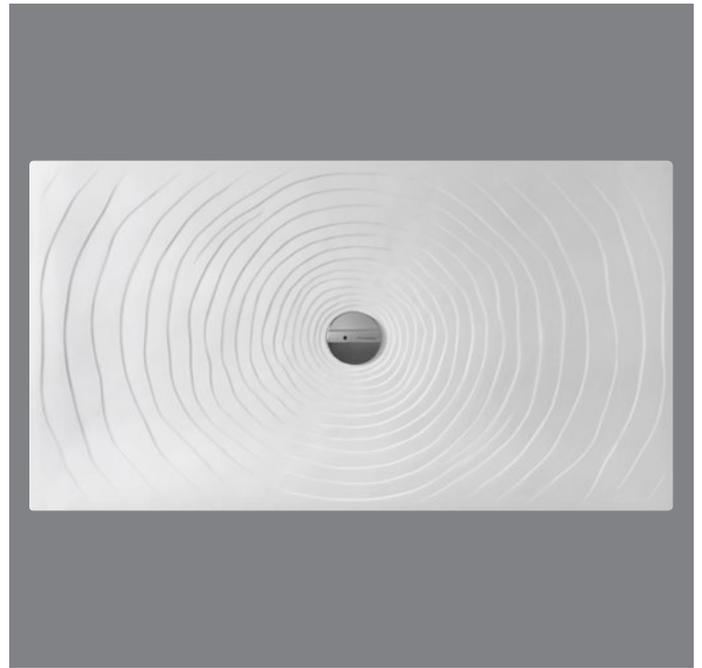
DR140 Water Drop 140x80

Laid on or built-in in the floor shower tray 140x80 cm
(ø 90mm drainage system not included)

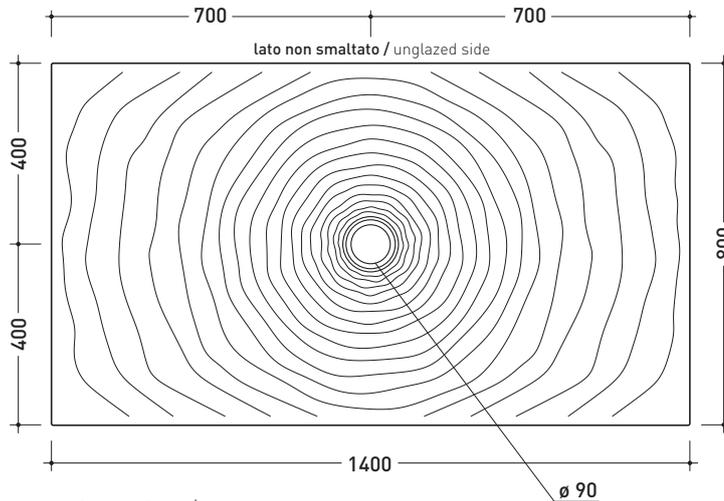
Complements: **BAMB00 composable shower box**
Line taps shower: ONE - NOKE' - SI - FOLD
Line accessories: TWO - HOOP - NOKE' - FOLD

Technical accessories: **drainage system ø 90mm (PLFR)**

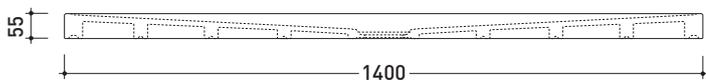
Package dim. | Weight **53 kg** | Pz. Pallet n°



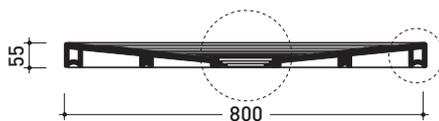
CE UNI EN 14527 Dop-No14527



vista zenitale / zenital view

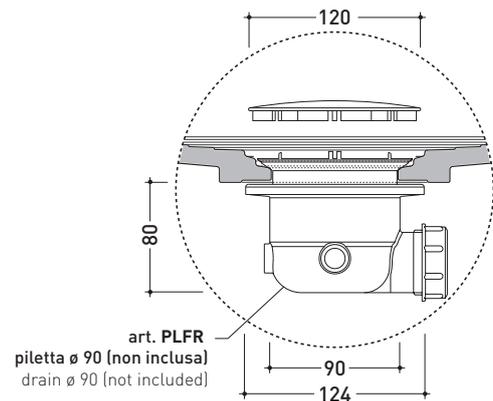


vista frontale / frontal view

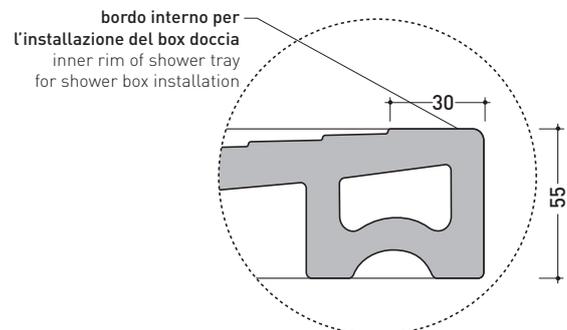


sezione longitudinale / section

PILETTA CONSIGLIATA / SUGGESTED DRAIN



Piletta sifonata / Drainage
Portata / Flow rate: **0,52 l/sec** (EN 274 >0,4 l/sec)

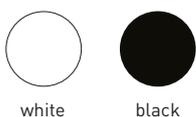


dettaglio del bordo / shower tray rim detail

sizes in mm

Please consider a 2% tolerance on indicated measurements

CERAMIC: glossy finish



matt finish



iridescent finish



<http://www.ceramicaflaminia.it/en/products/329-water-drop>

©ceramicaflaminiaspa - All rights reserved. Unauthorized copying, publication, reproduction as well as partial reproduction are prohibited

february 2017



Water Drop

➔ **FLAMINIA.**

design **LUCA CIMARRA**

2016

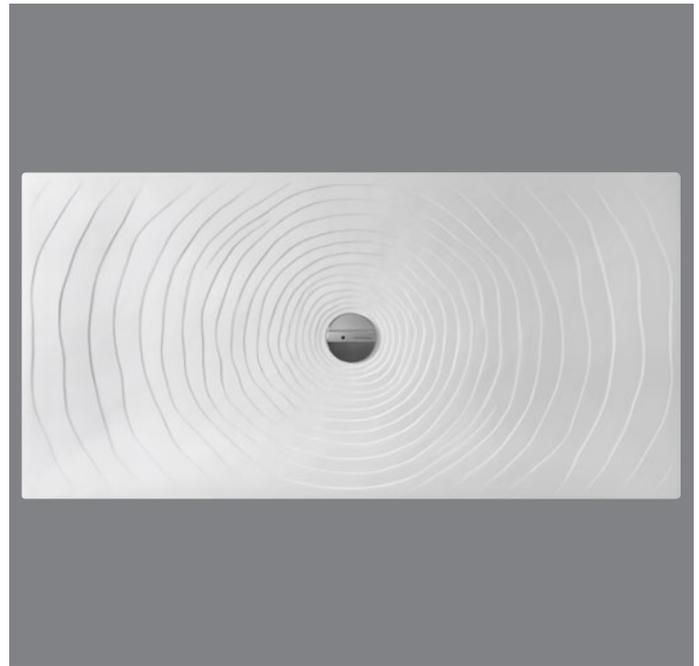
DR8016 Water Drop 160x80

Laid on or built-in in the floor shower tray 160x80 cm
(ø 90mm drainage system not included)

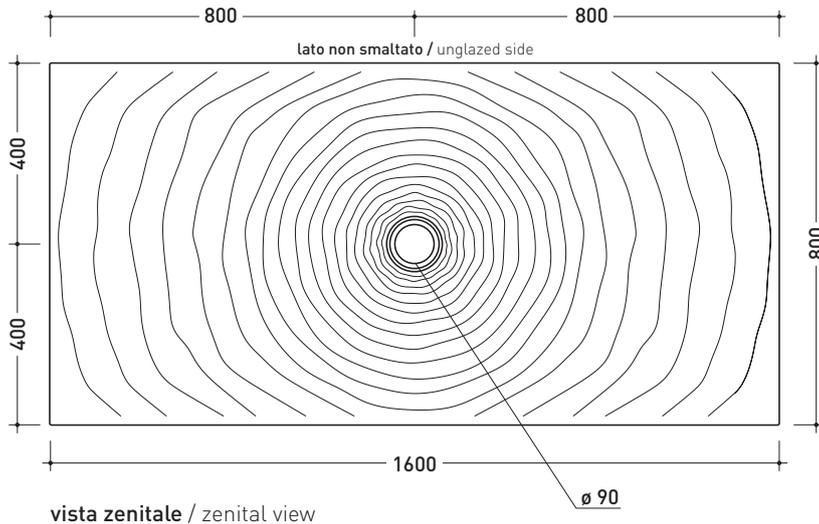
Complements: **BAMB00 composable shower box**
Line taps shower: ONE - NOKE' - SI - FOLD
Line accessories: TWO - HOOP - NOKE' - FOLD

Technical accessories: **drainage system ø 90mm (PLFR)**

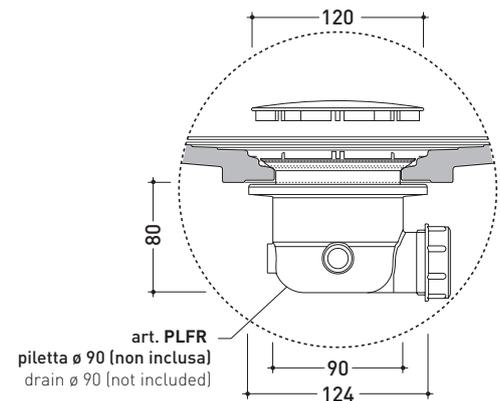
Package dim. | Weight **60,5 kg** | Pz. Pallet n°



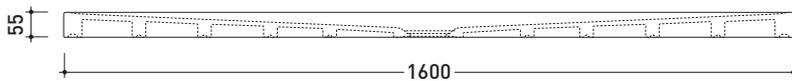
CE UNI EN 14527 Dop-No14527



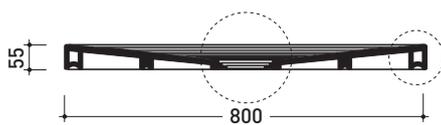
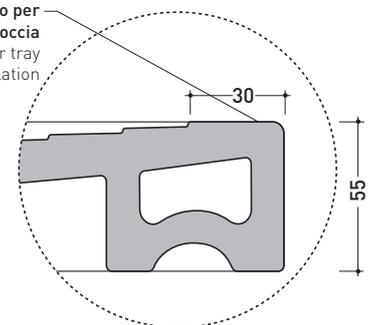
PILETTA CONSIGLIATA / SUGGESTED DRAIN



Piletta sifonata / Drainage
Portata / Flow rate: **0,52 l/sec** (EN 274 >0,4 l/sec)



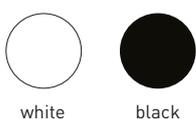
bordo interno per
l'installazione del box doccia
inner rim of shower tray
for shower box installation



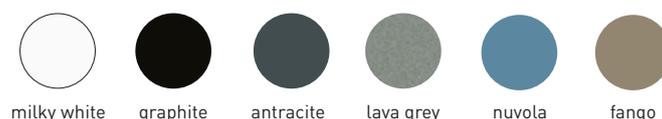
sizes in mm

Please consider a 2% tolerance on indicated measurements

CERAMIC: glossy finish



matt finish



iridescent finish



<http://www.ceramicaflaminia.it/en/products/329-water-drop>

©ceramicaflaminiaspa - All rights reserved. Unauthorized copying, publication, reproduction as well as partial reproduction are prohibited

february 2017



Water Drop

➔ **FLAMINIA.**

design **LUCA CIMARRA**

2016

DR90 Water Drop 90x72

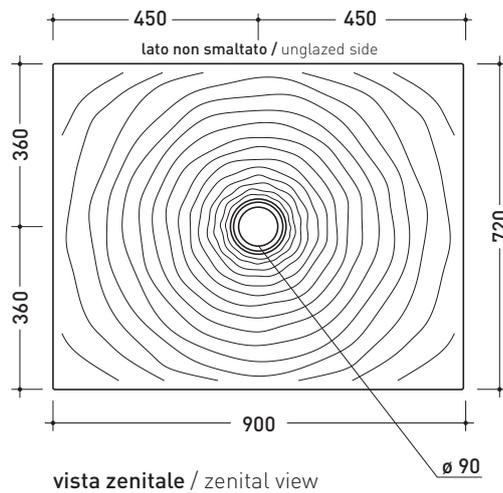
Laid on or built-in in the floor shower tray 90x72 cm
(\varnothing 90mm drainage system not included)

Complements: **BAMB00 composable shower box**
Line taps shower: ONE - NOKE' - SI - FOLD
Line accessories: TWO - HOOP - NOKE' - FOLD

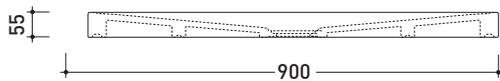
Technical accessories: **drainage system \varnothing 90mm (PLFR)**

Package dim. | Weight **31 kg** | Pz. Pallet n° **10**

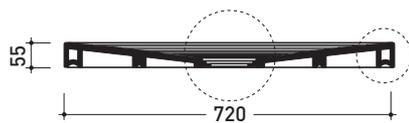
CE UNI EN 14527 Dop-No14527



vista zenitale / zenital view

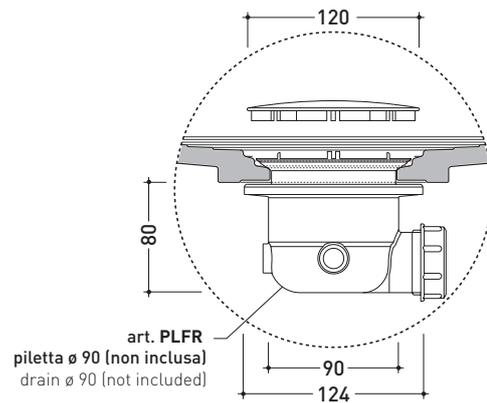


vista frontale / frontal view



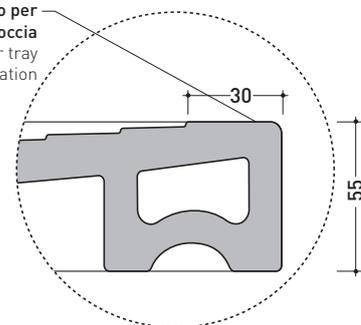
sezione longitudinale / section

PILETTA CONSIGLIATA / SUGGESTED DRAIN



Piletta sifonata / Drainage
Portata / Flow rate: **0,52 l/sec** (EN 274 >0,4 l/sec)

bordo interno per
l'installazione del box doccia
inner rim of shower tray
for shower box installation

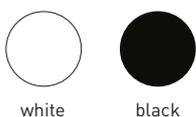


dettaglio del bordo / shower tray rim detail

sizes in mm

Please consider a 2% tolerance on indicated measurements

CERAMIC: glossy finish



matt finish



iridescent finish



<http://www.ceramicaflaminia.it/en/products/329-water-drop>

©ceramicaflaminiaspa - All rights reserved. Unauthorized copying, publication, reproduction as well as partial reproduction are prohibited

february 2017



Water Drop

➔ **FLAMINIA.**

design **LUCA CIMARRA**

2016

DR100 Water Drop100x70

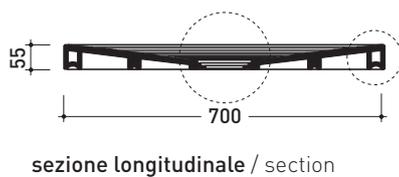
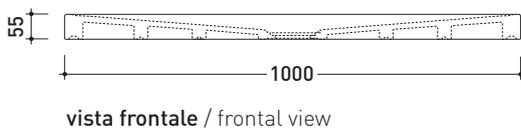
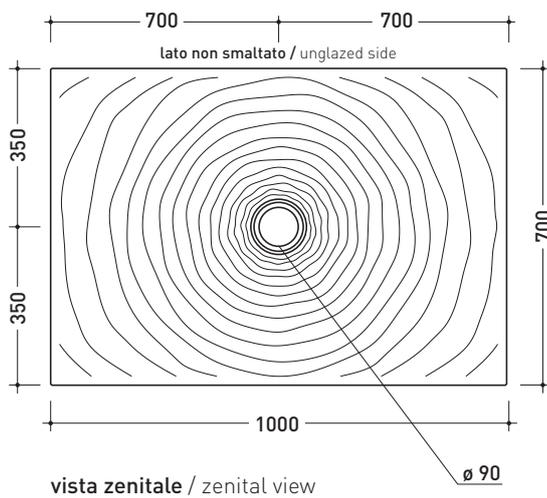
Laid on or built-in in the floor shower tray 100x70 cm
(\varnothing 90mm drainage system not included)

Complements: **BAMB00 composable shower box**
Line taps shower: ONE - NOKE' - SI - FOLD
Line accessories: TWO - HOOP - NOKE' - FOLD

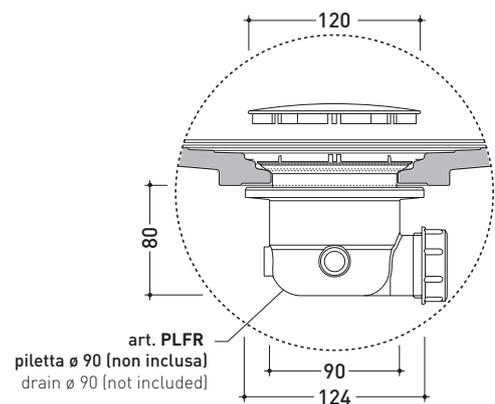
Technical accessories: **drainage system \varnothing 90mm (PLFR)**

Package dim. | Weight **32,2 kg** | Pz. Pallet n° **10**

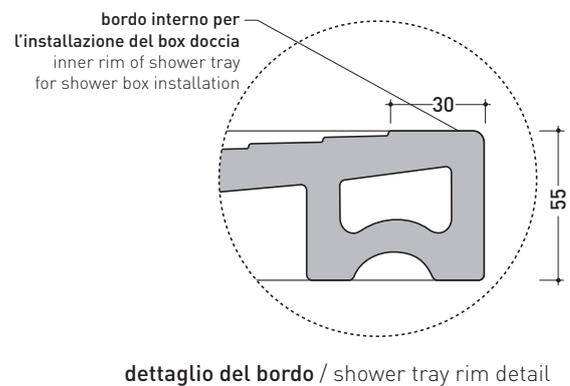
CE UNI EN 14527 Dop-No14527



PILETTA CONSIGLIATA / SUGGESTED DRAIN



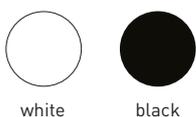
Piletta sifonata / Drainage
Portata / Flow rate: **0,52 l/sec** (EN 274 >0,4 l/sec)



sizes in mm

Please consider a 2% tolerance on indicated measurements

CERAMIC: glossy finish



matt finish



iridescent finish



<http://www.ceramicaflaminia.it/en/products/329-water-drop>

©ceramicaflaminiaspa - All rights reserved. Unauthorized copying, publication, reproduction as well as partial reproduction are prohibited

february 2017



Water Drop

➔ **FLAMINIA.**

design **LUCA CIMARRA**

2016

DR70 Water Drop 140x70

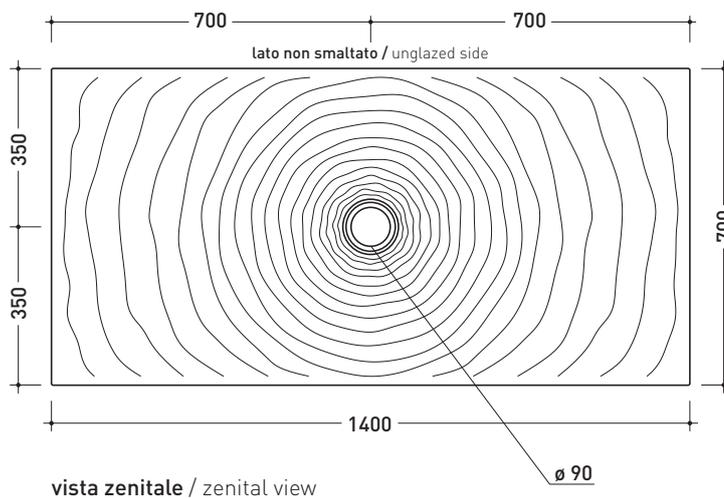
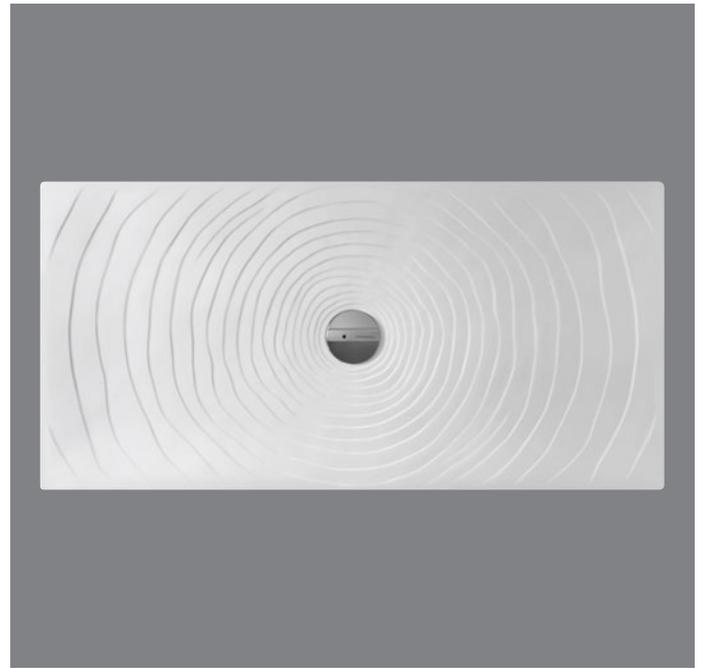
Laid on or built-in in the floor shower tray 140x70 cm
(\varnothing 90mm drainage system not included)

Complements: **BAMB00 composable shower box**
Line taps shower: ONE - NOKE' - SI - FOLD
Line accessories: TWO - HOOP - NOKE' - FOLD

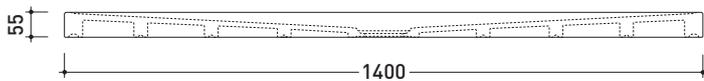
Technical accessories: **drainage system \varnothing 90mm (PLFR)**

Package dim. | Weight **45,5 kg** | Pz. Pallet n°

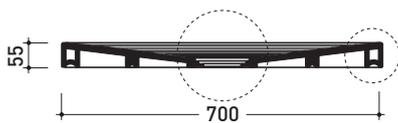
CE UNI EN 14527 Dop-No14527



vista zenitale / zenital view

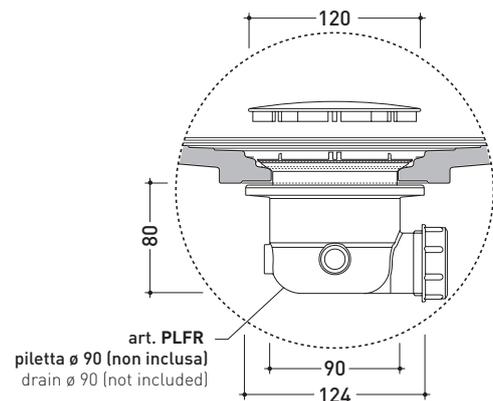


vista frontale / frontal view



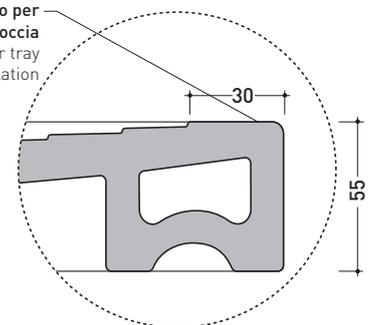
sezione longitudinale / section

PILETTA CONSIGLIATA / SUGGESTED DRAIN



Piletta sifonata / Drainage
 Portata / Flow rate: **0,52 l/sec** (EN 274 >0,4 l/sec)

bordo interno per
 l'installazione del box doccia
 inner rim of shower tray
 for shower box installation

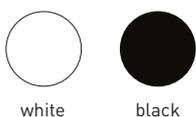


dettaglio del bordo / shower tray rim detail

sizes in mm

Please consider a 2% tolerance on indicated measurements

CERAMIC: glossy finish



matt finish



iridescent finish



<http://www.ceramicaflaminia.it/en/products/329-water-drop>

©ceramicaflaminiaspa - All rights reserved. Unauthorized copying, publication, reproduction as well as partial reproduction are prohibited

february 2017



Water Drop

➔ **FLAMINIA.**

design **LUCA CIMARRA**

2016

DR7016 Water Drop 160x70

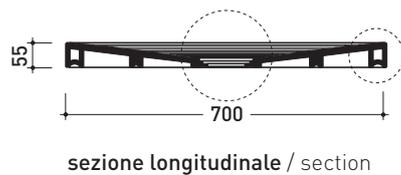
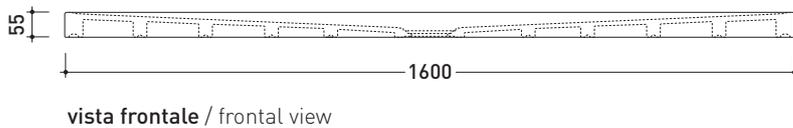
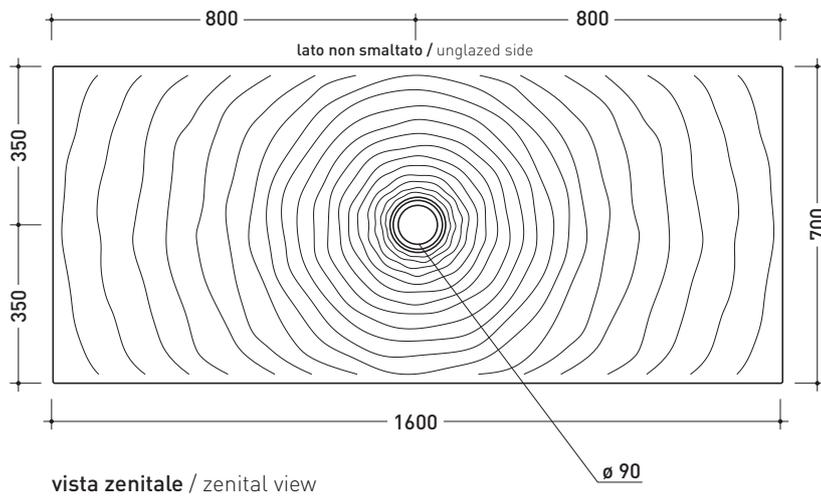
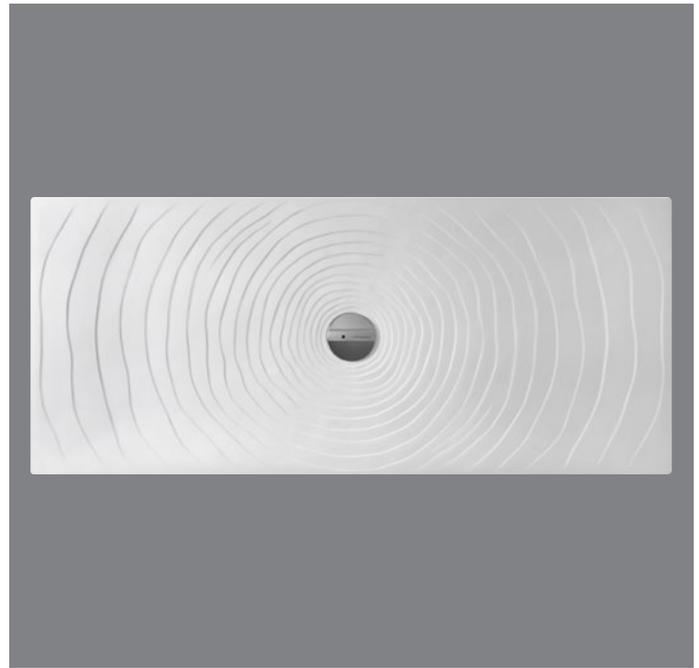
Laid on or built-in in the floor shower tray 160x70 cm
(ø 90mm drainage system not included)

Complements: **BAMB00 composable shower box**
Line taps shower: ONE - NOKE' - SI - FOLD
Line accessories: TWO - HOOP - NOKE' - FOLD

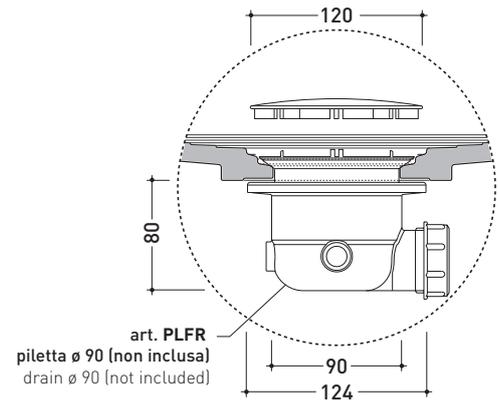
Technical accessories: **drainage system ø 90mm (PLFR)**

Package dim. | Weight **52,5 kg** | Pz. Pallet n°

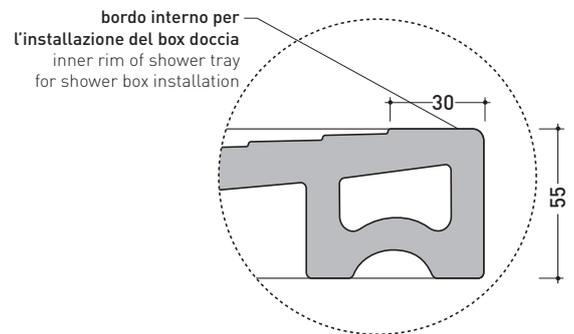
CE UNI EN 14527 Dop-No14527



PILETTA CONSIGLIATA / SUGGESTED DRAIN



Piletta sifonata / Drainage
Portata / Flow rate: **0,52 l/sec** (EN 274 >0,4 l/sec)

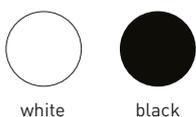


dettaglio del bordo / shower tray rim detail

sizes in mm

Please consider a 2% tolerance on indicated measurements

CERAMIC: glossy finish



matt finish



iridescent finish

