

MW60S Miniwash 60

Wall hung basin cm 60 with tap ledge

•WITH OVERFLOW •ARRANGED FOR FIVE TAP HOLES

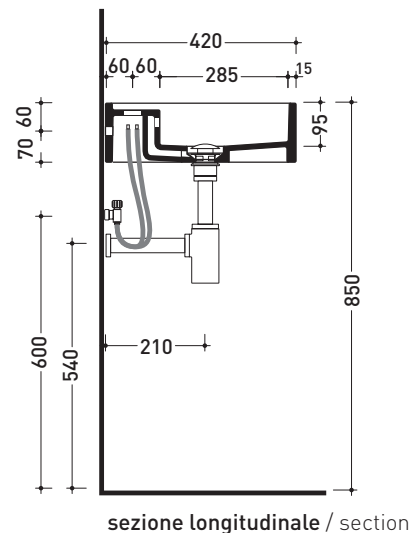
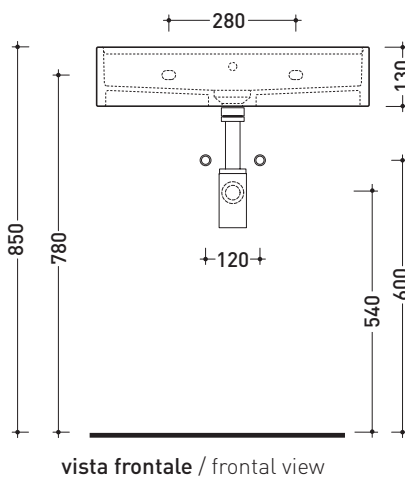
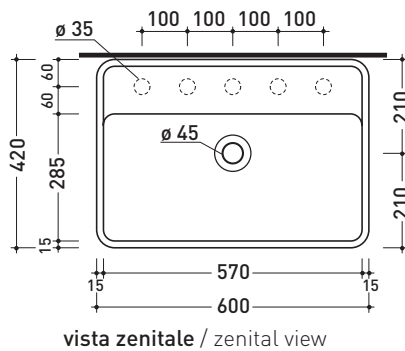
Complements: **Chromed towel holder (PMW60)**
Line taps basin: ONE - NOKE' - SI - FOLD
Line accessories: TWO - HOOP - NOKE' - FOLD

Technical accessories: **Chrome siphon (SIFL/CR) - Telescopic chrome siphon (SIFL066)**
Stop & Go drain (PLSG)
CERAMIC Stop & Go drain (PLCE)
Two piece set chrome tap filters (RF026)
Fixing kit for wall (9002)

Package dim. | Weight **21 kg** | Pz. Pallet n° **12**



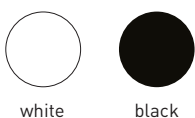
CE UNI EN 14688 - CL20 Dop-No14688



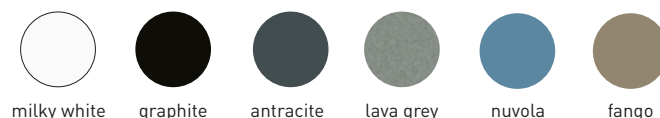
sizes in mm

Please consider a 2% tolerance on indicated measurements

CERAMIC: glossy finish



matt finish



iridescent finish



MW75S Miniwash 75

Wall hung basin cm 75 with tap ledge

•WITH OVERFLOW •ARRANGED FOR SEVEN TAP HOLES

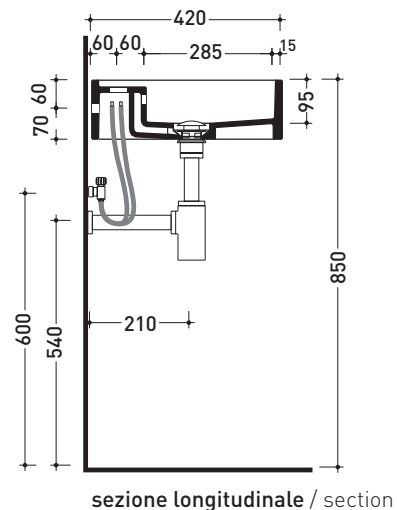
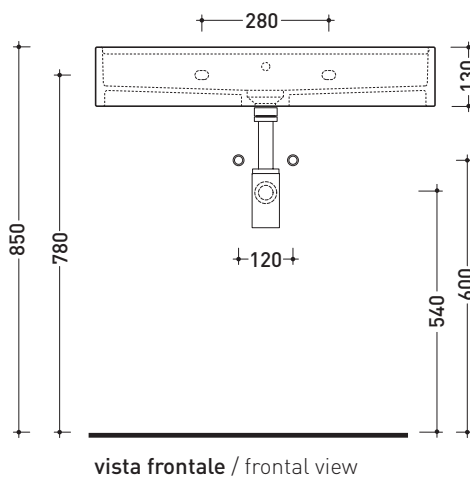
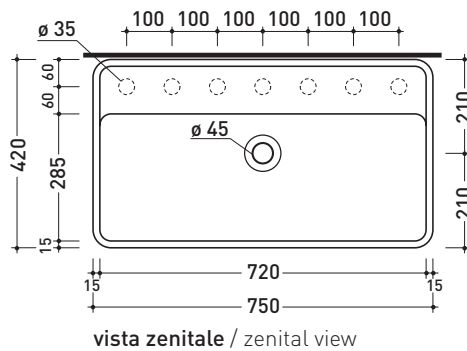
Complements: **Chromed towel holder (PMW75)**
Line taps basin: ONE - NOKE' - SI - FOLD
Line accessories: TWO - HOOP - NOKE' - FOLD

Technical accessories: **Chrome siphon (SIFL/CR) - Telescopic chrome siphon (SIFL066)**
Stop & Go drain (PLSG)
CERAMIC Stop & Go drain (PLCE)
Two piece set chrome tap filters (RF026)
Fixing kit for wall (9002)

Package dim. | Weight **23,5 kg** | Pz. Pallet n° **12**



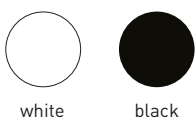
CE UNI EN 14688 - CL20 Dop-No14688



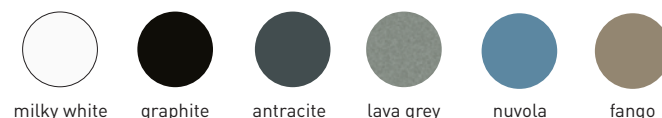
sizes in mm

Please consider a 2% tolerance on indicated measurements

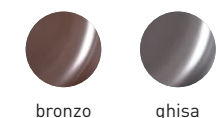
CERAMIC: glossy finish



matt finish



iridescent finish



MW60PR Miniwash 60

Countertop basin cm 60 with tap ledge

•WITH OVERFLOW •ARRANGED FOR FIVE TAP HOLES

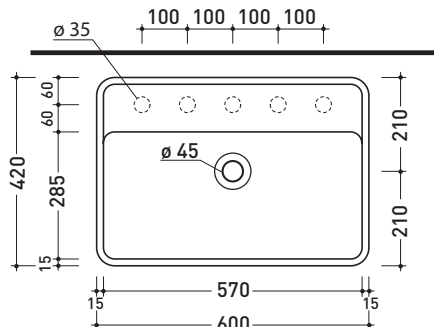
Complements: **Line taps basin:** ONE - NOKE' - SI - FOLD
Line accessories: TWO - HOOP - NOKE' - FOLD

Technical accessories: **Chrome siphon (SIFL/CR)** - **Telescopic chrome siphon (SIFL066)**
Stop & Go drain (PLSG)
CERAMIC Stop & Go drain (PLCE)
Two piece set chrome tap filters (RF026)

Package dim. | Weight **21 kg** | Pz. Pallet n° **12**

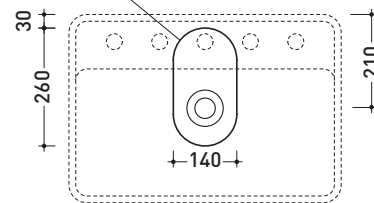


CE UNI EN 14688 - CL20 Dop-No14688

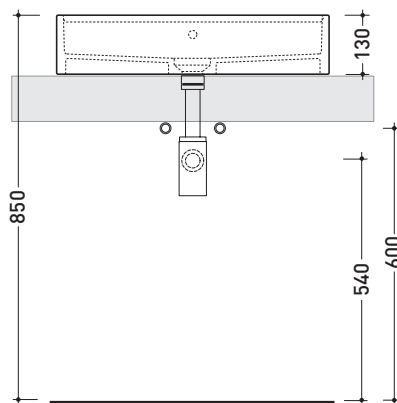


vista zenitale / zenital view

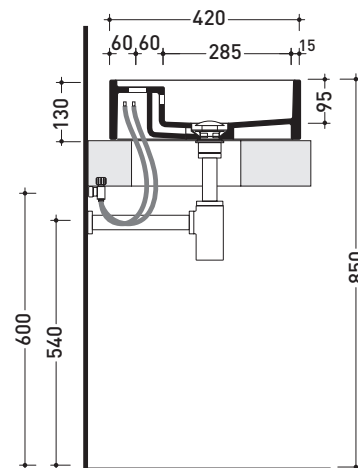
foro consigliato sul piano
suggested hole on the top



vista zenitale / zenital view



vista frontale / frontal view

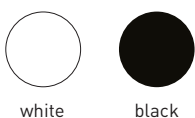


sezione longitudinale / section

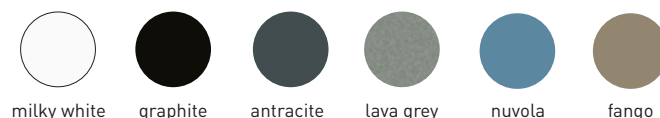
sizes in mm

Please consider a 2% tolerance on indicated measurements

CERAMIC: glossy finish



matt finish



iridescent finish



MW75PR Miniwash 75

Countertop basin cm 75 with tap ledge

•WITH OVERFLOW •ARRANGED FOR SEVEN TAP HOLES

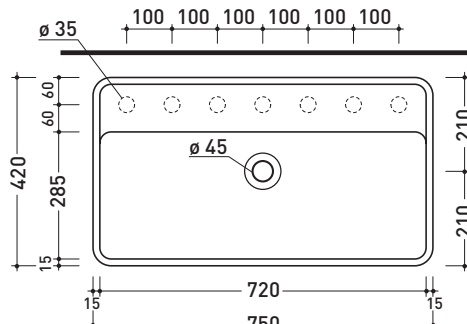
Complements: **Make-Up benches** (MKP150 - MKP180)
Compono System benches (CSM90 - CSM135R/L - CSP135R/L - CSP180D)
Line taps basin: ONE - NOKE' - SI - FOLD
Line accessories: TWO - HOOP - NOKE' - FOLD

Technical accessories: **Chrome siphon** (SIFL/CR) - **Telescopic chrome siphon** (SIFL066)
Stop & Go drain (PLSG)
CERAMIC Stop & Go drain (PLCE)
Two piece set chrome tap filters (RF026)

Package dim. | Weight **kg** | Pz. Pallet n°

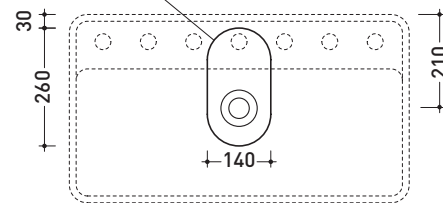


CE UNI EN 14688 - CL20 Dop-No14688

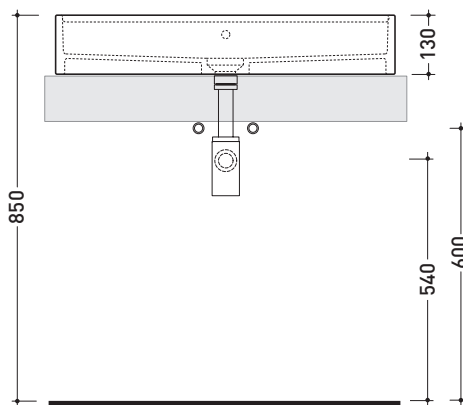


vista zenitale / zenital view

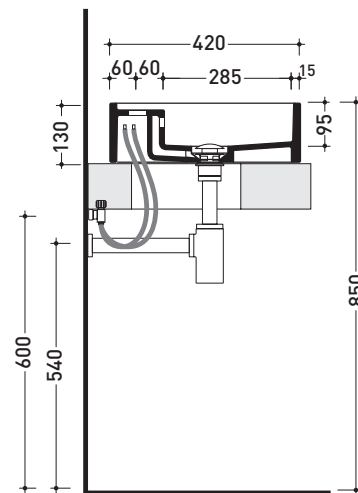
foro consigliato sul piano
suggested hole on the top



vista zenitale / zenital view



vista frontale / frontal view

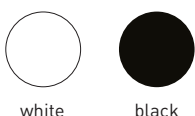


sezione longitudinale / section

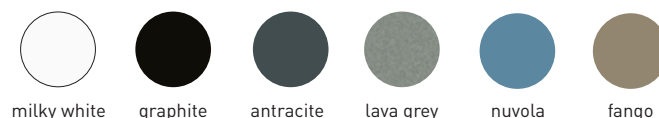
sizes in mm

Please consider a 2% tolerance on indicated measurements

CERAMIC: glossy finish



matt finish



iridescent finish



design **GIULIO CAPPELLINI**

2016

MWL60 Miniwash 60

Countertop basin cm 60

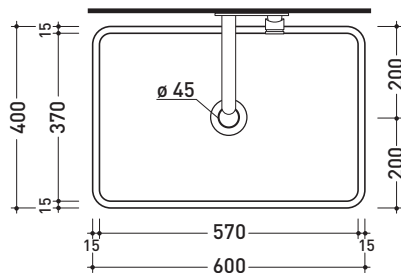
•WITHOUT OVERFLOW •WITHOUT TAP LEDGE

Complements: **Forty6 shelf (F6MW)**
Solid shelf (SLMW)
Make-Up benches (MKP150 - MKP180)
Compono System benches (CSM90 - CSM135R/L - CSP135R/L - CSP180D)
Line taps basin: ONE - NOKE' - SI - FOLD
Line accessories: TWO - HOOP - NOKE' - FOLD

Technical accessories: **Chrome siphon (SIFL/CR) - Telescopic chrome siphon (SIFL066)**
Stop & Go drain (PLSG)
CERAMIC Stop & Go drain (PLCE)
Two piece set chrome tap filters (RF026)

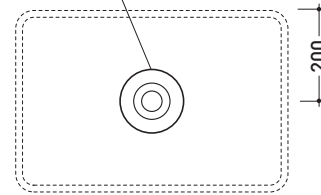
Package dim. **62 x 14,5 x 42 cm** | Weight **16 kg** | Pz. Pallet n° **24**

CE UNI EN 14688 - CL00 Dop-No14688

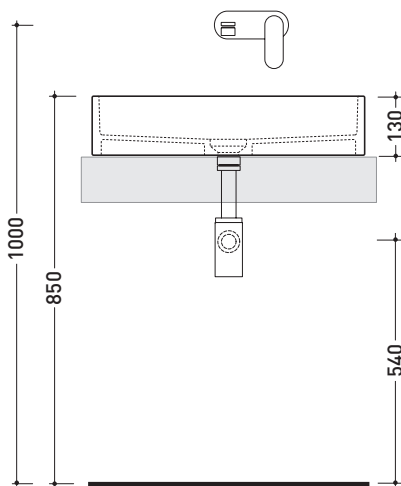


vista zenitale / zenital view

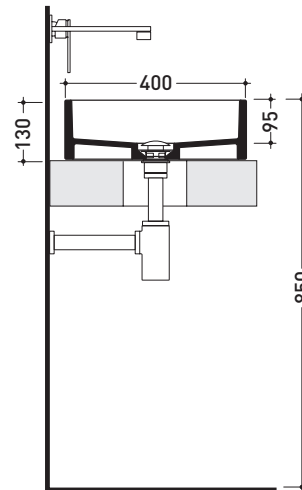
foro consigliato sul piano \varnothing 140
 suggested hole on the top \varnothing 140



vista zenitale / zenital view



vista frontale / frontal view

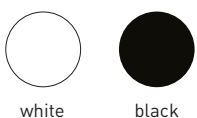


sezione longitudinale / section

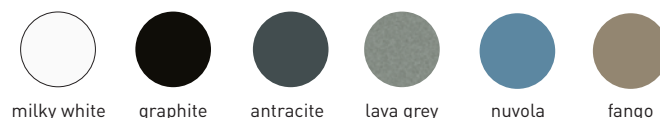
sizes in mm

Please consider a 2% tolerance on indicated measurements

CERAMIC: glossy finish



matt finish



iridescent finish



MWL75 Miniwash 75

Countertop basin cm 75

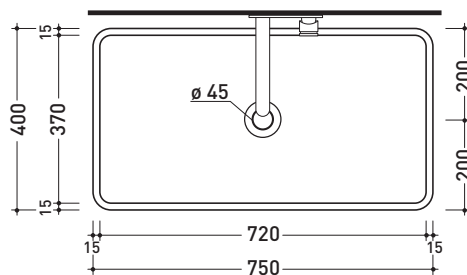
•WITHOUT OVERFLOW •WITHOUT TAP LEDGE

Complements: **Forty6 shelf (F6MW)**
Solid shelf (SLMW)
Make-Up benches (MKP150 - MKP180)
Compono System benches (CSM90 - CSM135R/L - CSP135R/L - CSP180D)
Line taps basin: ONE - NOKE' - SI - FOLD
Line accessories: TWO - HOOP - NOKE' - FOLD

Technical accessories: **Chrome siphon (SIFL/CR) - Telescopic chrome siphon (SIFL066)**
Stop & Go drain (PLSG)
CERAMIC Stop & Go drain (PLCE)
Two piece set chrome tap filters (RF026)

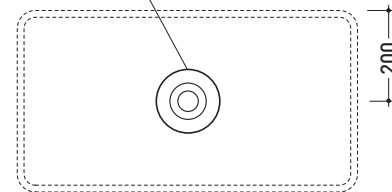
Package dim. **77 x 14,5 x 42 cm** | Weight **19 kg** | Pz. Pallet n° **24**

CE UNI EN 14688 - CL00 Dop-No14688

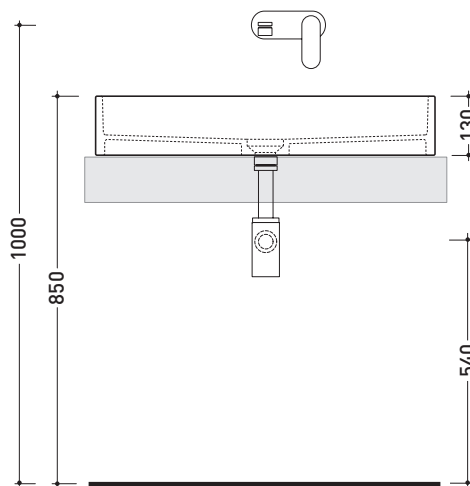


vista zenitale / zenital view

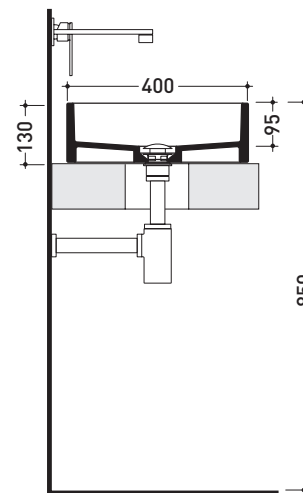
foro consigliato sul piano ø 140
 suggested hole on the top ø140



vista zenitale / zenital view



vista frontale / frontal view

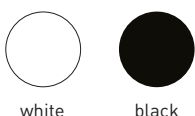


sezione longitudinale / section

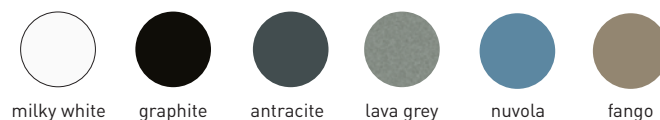
sizes in mm

Please consider a 2% tolerance on indicated measurements

CERAMIC: glossy finish



matt finish



iridescent finish



design **GIULIO CAPPELLINI**

2005

MWL25 Miniwash 25

Wall hung single-hole basin

• WITHOUT OVERFLOW

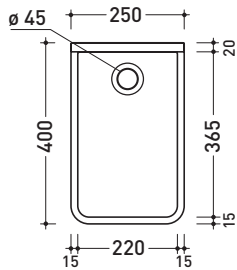
Complements: **Line taps basin ONE** (113057)
Line accessories: TWO - HOOP - NOKE' - FOLD

Technical accessories: **Chrome siphon** (SIFL/CR) - **Telescopic chrome siphon** (SIFL066)
Stop & Go drain (PLSG)
CERAMIC Stop & Go drain (PLCE)

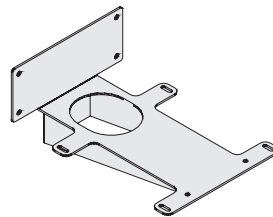
Package dim. **36 x 25,5 x 40,5 cm** | Weight **13 kg** | Pz. Pallet n° **30**



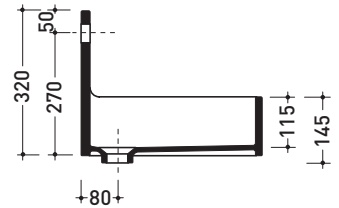
CE UNI EN 14688 - CL00 Dop-No14688



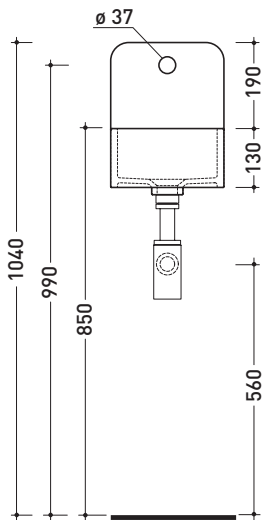
vista zenitale / zenital view



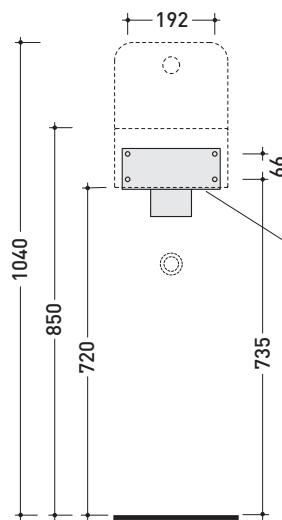
staffa di fissaggio
fixing bracket



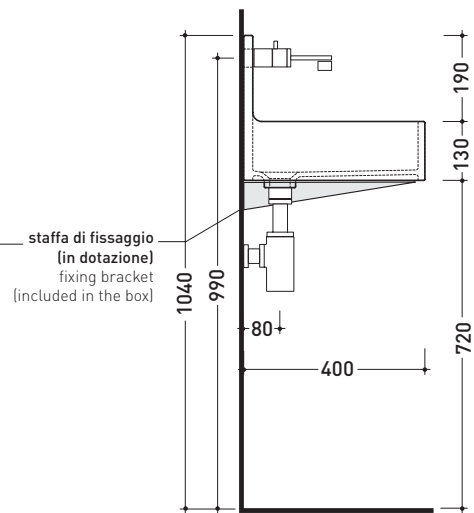
sezione longitudinale / section



vista frontale / frontal view



vista frontale fissaggio staffa
fixing bracket frontal view

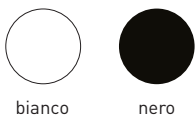


vista laterale / lateral view

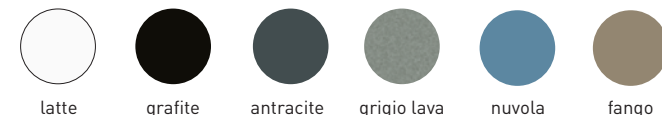
sizes in mm

Please consider a 2% tolerance on indicated measurements

CERAMICA: finiture lucide



finiture opache



finiture cangianti



design **GIULIO CAPPELLINI**

2005

MWL40 Miniwash 40

Countertop - wall hung* basin 40 cm

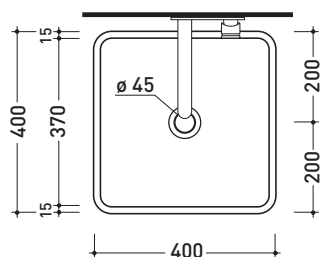
•WITHOUT OVERFLOW •WITHOUT TAP LEDGE

Complements: ***Wall fixing bracket (MWS40)**
Fortyó shelf (F6MW)
Solid shelf (SLMW)
Make-Up benches (MKP150 - MKP180)
Compono System benches (CSM90 - CSM135R/L - CSP135R/L - CSP180D)
Line taps basin: ONE - NOKE' - SI - FOLD
Line accessories: TWO - HOOP - NOKE' - FOLD

Technical accessories: **Chrome siphon (SIFL/CR) - Telescopic chrome siphon (SIFL066)**
Stop & Go drain (PLSG)
CERAMIC Stop & Go drain (PLCE)
Two piece set chrome tap filters (RF026)

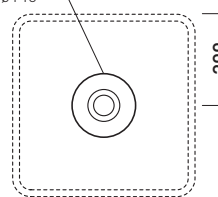
Package dim. **40,5 x 14,5 x 42 cm** | Weight **11,5 kg** | Pz. Pallet n° **42**

UNI EN 14688 - CL00 Dop-No14688

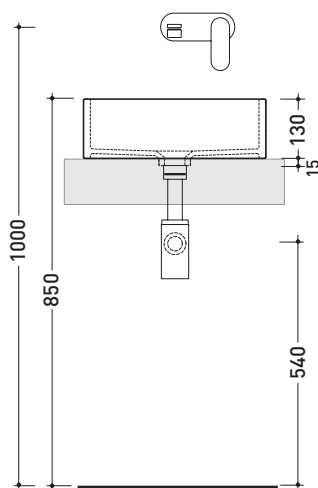


vista zenitale / zenital view

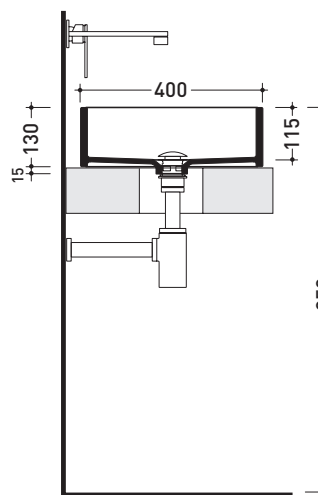
foro consigliato sul piano ø 140
 suggested hole on the top ø140



vista zenitale / zenital view



vista frontale / frontal view



sezione longitudinale / section

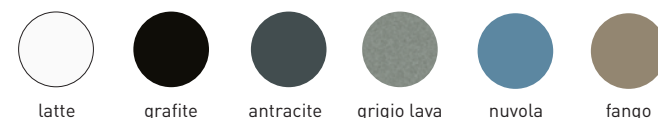
sizes in mm

Please consider a 2% tolerance on indicated measurements

CERAMICA: finiture lucide



finiture opache



finiture cangianti



Miniwash Fly

➔ **FLAMINIA.**

design **GIULIO CAPPELLINI**

2005

MWL40 + MWS40 Miniwash 40

Wall fixing bracket + countertop basin 40 cm

•WITHOUT OVERFLOW •WITHOUT TAP LEDGE

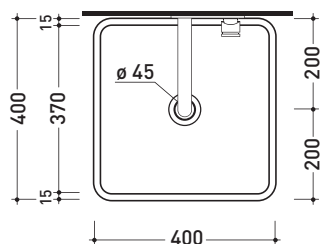
Complements: **Line taps basin:** ONE - NOKE' - SI
Line accessories: TWO - HOOP - NOKE' - FOLD

Technical accessories: **Chrome siphon (SIFL/CR) - Telescopic chrome siphon (SIFL066)**
Stop & Go drain (PLSG)
CERAMIC Stop & Go drain (PLCE)

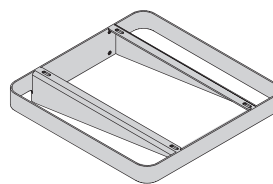
Package dim. basin: **40,5 x 14,5 x 42 cm** | Weight **11,5 kg** | Pz. Pallet n° **42**

Package dim. bracket: **42 x 18 x 44 cm** | Weight **3 kg** | Pz. Pallet n° -

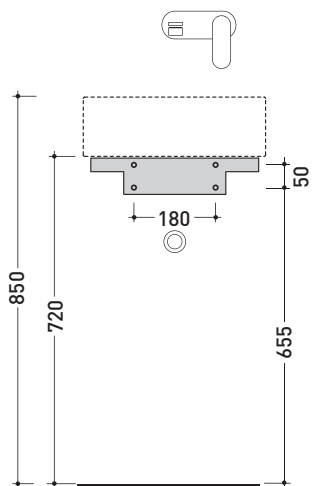
CE UNI EN 14688 - CL00 Dop-No14688



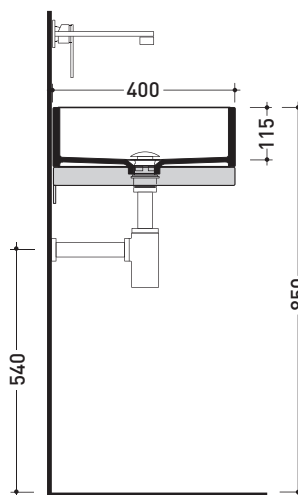
vista zenitale / zenital view



staffa di fissaggio MWS40
MWS40 fixing bracket



vista frontale fissaggio staffa
fixing bracket frontal view



sezione longitudinale / section

sizes in mm

Please consider a 2% tolerance on indicated measurements

STEEL: glossy finish



chrome

<http://www.ceramicaflaminia.it/en/products/300-miniwash-fly>

©ceramicaflaminiaspa - All rights reserved. Unauthorized copying, publication, reproduction as well as partial reproduction are prohibited

march 2017



Miniwash Fly

➔ **FLAMINIA.**

design **GIULIO CAPPELLINI**

2005

MWL48 Miniwash 48

Countertop - wall hung* basin 48 cm

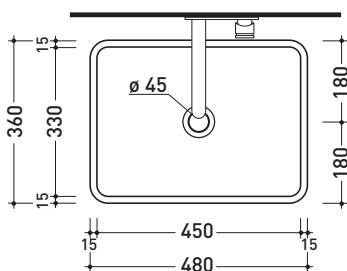
● WITHOUT OVERFLOW ● WITHOUT TAP LEDGE

Complements: ***Wall fixing bracket (MWS48)**
Forty6 shelf (F6MW)
Solid shelf (SLMW)
Make-Up benches (MKP150 - MKP180)
Compono System benches (CSM90 - CSM135R/L - CSP135R/L - CSP180D)
Line taps basin: ONE - NOKE' - SI - FOLD
Line accessories: TWO - HOOP - NOKE' - FOLD

Technical accessories: **Chrome siphon (SIFL/CR) - Telescopic chrome siphon (SIFL066)**
Stop & Go drain (PLSG)
CERAMIC Stop & Go drain (PLCE)
Two piece set chrome tap filters (RF026)

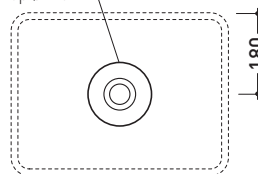
Package dim. **49 x 14,5 x 37,5 cm** | Weight **12,5 kg** | Pz. Pallet n° **42**

CE UNI EN 14688 - CL00 Dop-No14688

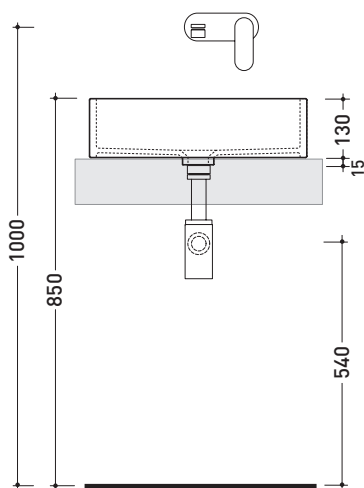


vista zenitale / zenital view

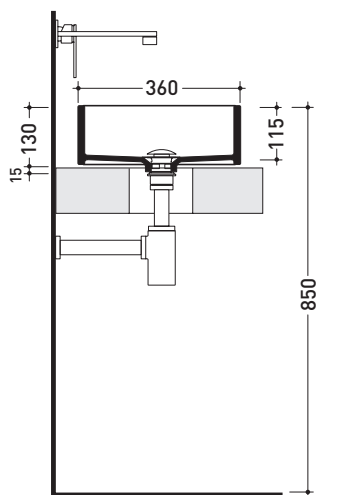
foro consigliato sul piano ø 140
 suggested hole on the top ø140



vista zenitale / zenital view



vista frontale / frontal view

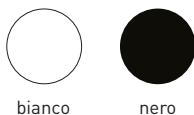


sezione longitudinale / section

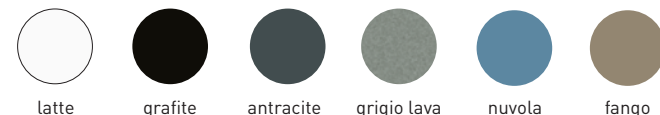
sizes in mm

Please consider a 2% tolerance on indicated measurements

CERAMICA: finiture lucide



finiture opache



finiture cangianti



<http://www.ceramicaflaminia.it/en/products/300-miniwash-fly>

©ceramicaflaminiaspa - All rights reserved. Unauthorized copying, publication, reproduction as well as partial reproduction are prohibited

march 2017



Miniwash Fly

➔ **FLAMINIA.**

design **GIULIO CAPPELLINI**

2005

MWL48M + MWS48 Miniwash 48

Wall fixing bracket + countertop basin 48 cm

•WITHOUT OVERFLOW •WITHOUT TAP LEDGE

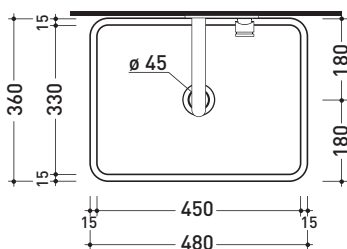
Complements: **Line taps basin: ONE - NOKE' - SI**
Line accessories: TWO - HOOP - NOKE' - FOLD

Technical accessories: **Chrome siphon (SIFL/CR) - Telescopic chrome siphon (SIFL066)**
Stop & Go drain (PLSG)
CERAMIC Stop & Go drain (PLCE)

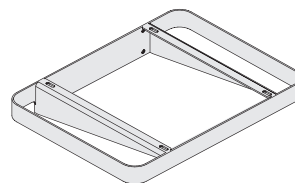
Package dim. basin | 49 x 14,5 x 37,5 cm | Weight 12,5 kg | Pz. Pallet n° 42

Package dim. bracket | 42 x 18 x 44 cm | Weight 3 kg | Pz. Pallet n° -

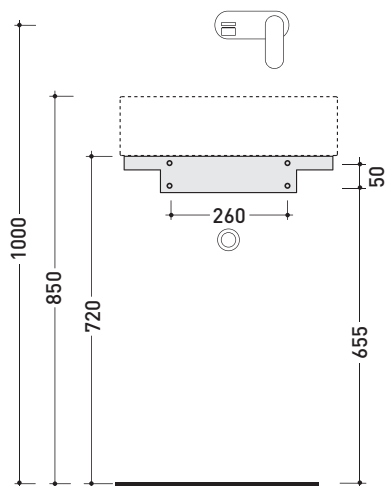
CE UNI EN 14688 - CL00 Dop-No14688



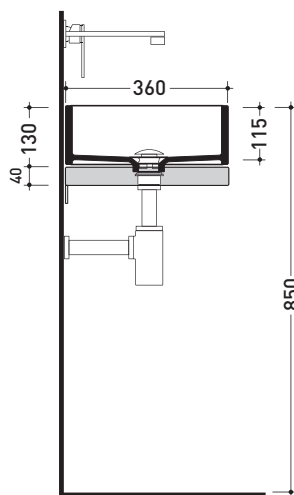
vista zenitale / zenital view



staffa di fissaggio MWS48
MWS48 fixing bracket



vista frontale fissaggio staffa
fixing bracket frontal view



sezione longitudinale / section

sizes in mm

Please consider a 2% tolerance on indicated measurements

STEEL: glossy finish



chrome

<http://www.ceramicaflaminia.it/en/products/300-miniwash-fly>

©ceramicaflaminiaspa - All rights reserved. Unauthorized copying, publication, reproduction as well as partial reproduction are prohibited

march 2017



design **GIULIO CAPPELLINI**

2005

MW40SP Miniwash 40

Under-counter basin 40 cm

•WITHOUT OVERFLOW •GLAZED EXTERIOR

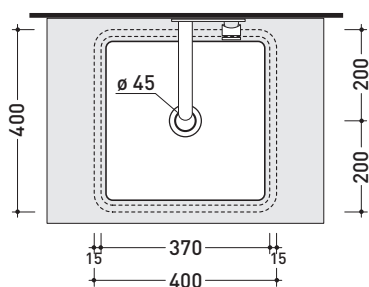
Complements: **Fly crystal shelves (FY40PC)**
FlyMax Pietraluce shelves (FY40SP)
Line taps basin: ONE - NOKE' - SI - FOLD
Line accessories: TWO - HOOP - NOKE' - FOLD

Technical accessories: **Chrome siphon (SIFL/CR) - Telescopic chrome siphon (SIFL066)**
Stop & Go drain (PLSG)
CERAMIC Stop & Go drain (PLCE)
Two piece set chrome tap filters (RF026)

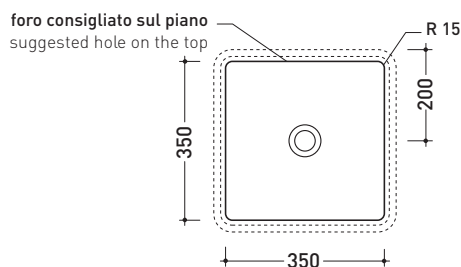
Package dim. **40, 5 x 14, 5 x 42 cm** | Weight **14 kg** | Pz. Pallet n° **42**



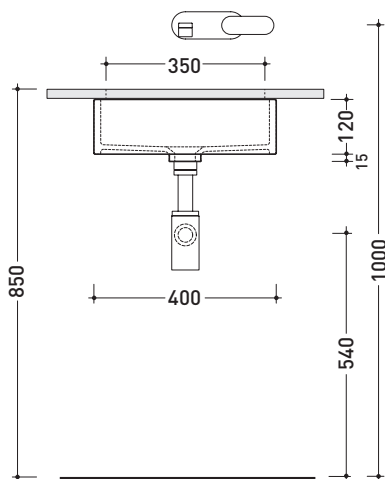
CE UNI EN 14688 - CL00 Dop-No14688



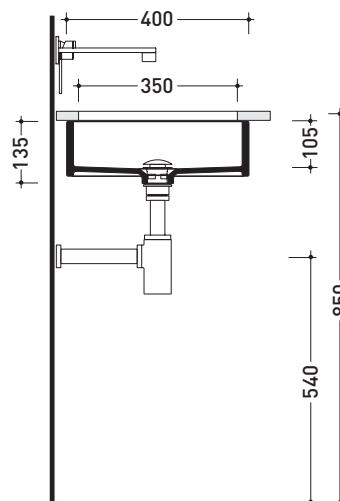
vista zenitale / zenital view



vista zenitale / zenital view



vista frontale / frontal view

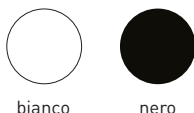


sezione longitudinale / section

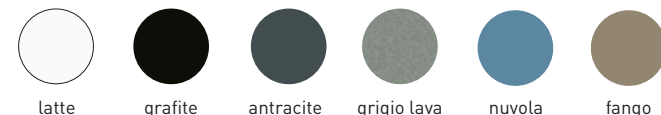
sizes in mm

Please consider a 2% tolerance on indicated measurements

CERAMICA: finiture lucide



finiture opache



finiture cangianti



Miniwash Fly

➔ **FLAMINIA.**

design **GIULIO CAPPELLINI**

2005

MW48SP Miniwash 48

Under-counter basin 48 cm

• WITHOUT OVERFLOW • GLAZED EXTERIOR

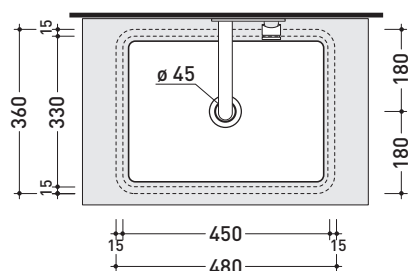
Complements: **Fly crystal tops** (FY48PC)
FlyMax Pietraluce tops (FY48SP)
Line taps basin: ONE - NOKE' - SI - FOLD
Line accessories: TWO - HOOP - NOKE' - FOLD

Technical accessories: **Chrome siphon** (SIFL/CR) - **Telescopic chrome siphon** (SIFL066)
Stop & Go drain (PLSG)
CERAMIC Stop & Go drain (PLCE)
Two piece set chrome tap filters (RF026)

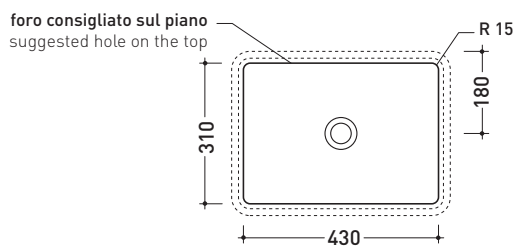
Package dim. **49 x 14,5 x 37,5 cm** | Weight **14,5 kg** | Pz. Pallet n° **42**



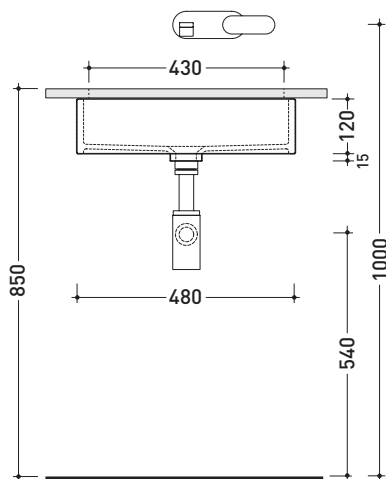
CE UNI EN 14688 - CL00 Dop-No14688



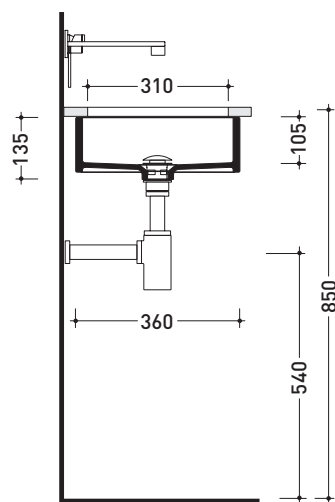
vista zenitale / zenital view



vista zenitale / zenital view



vista frontale / frontal view

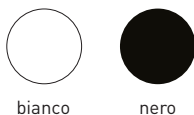


sezione longitudinale / section

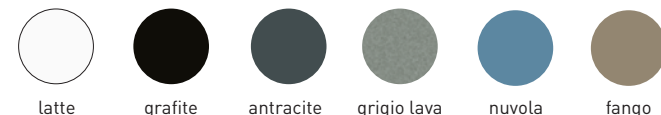
sizes in mm

Please consider a 2% tolerance on indicated measurements

CERAMICA: finiture lucide



finiture opache



finiture cangianti



<http://www.ceramicaflaminia.it/en/products/300-miniwash-fly>

©ceramicaflaminiaspa - All rights reserved. Unauthorized copying, publication, reproduction as well as partial reproduction are prohibited

march 2017



MW60SP Miniwash 60

Under-counter basin 60 cm

•WITHOUT OVERFLOW •GLAZED EXTERIOR

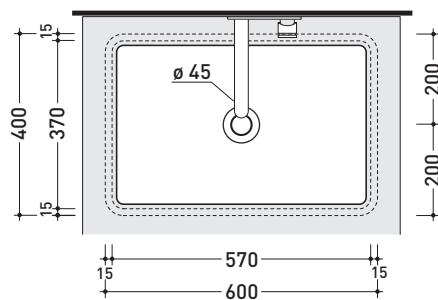
Complements: **Fly crystal tops** (FY60PC)
FlyMax Pietraluce tops (FY60SP)
Line taps basin: ONE - NOKE' - SI - FOLD
Line accessories: TWO - HOOP - NOKE' - FOLD

Technical accessories: **Chrome siphon** (SIFL/CR) - **Telescopic chrome siphon** (SIFL066)
Stop & Go drain (PLSG)
CERAMIC Stop & Go drain (PLCE)
Two piece set chrome tap filters (RF026)

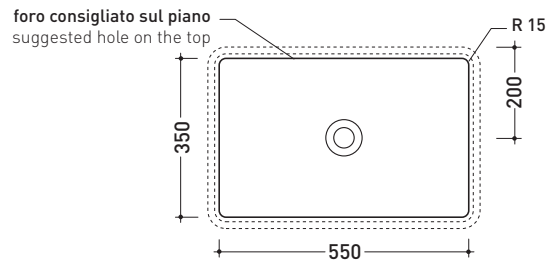
Package dim. **62 x 14,5 x 42 cm** | Weight **18,5 kg** | Pz. Pallet n° **24**



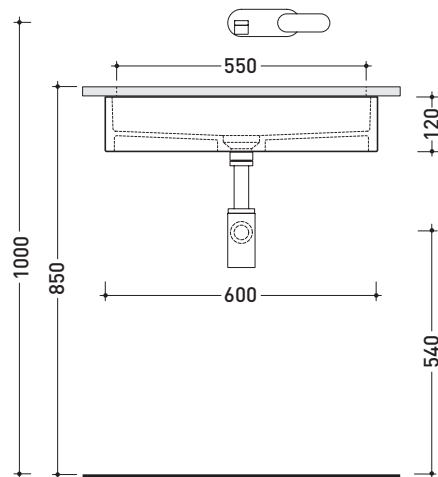
CE UNI EN 14688 - CL00 Dop-No14688



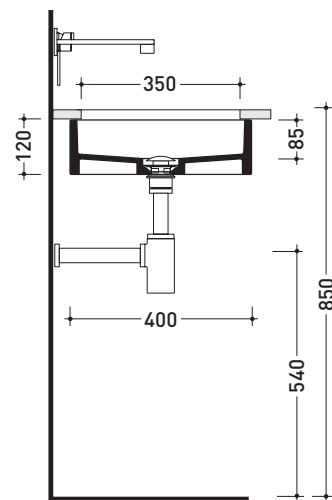
vista zenitale / zenital view



vista zenitale / zenital view



vista frontale / frontal view



sezione longitudinale / section

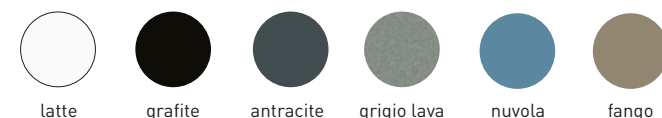
sizes in mm

Please consider a 2% tolerance on indicated measurements

CERAMICA: finiture lucide



finiture opache



finiture cangianti



MW75SP Miniwash 75

Under-counter basin 75 cm

• WITHOUT OVERFLOW • GLAZED EXTERIOR

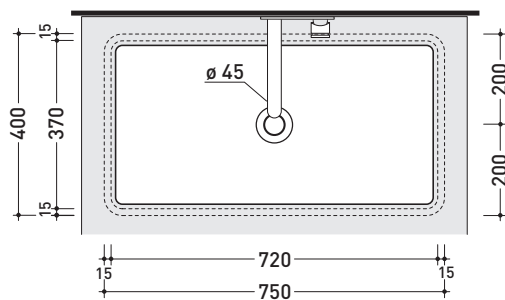
Complements: **Fly crystal tops (FY75PC)**
FlyMax Pietraluce tops (FY75SP)
Line taps basin: ONE - NOKE' - SI - FOLD
Line accessories: TWO - HOOP - NOKE' - FOLD

Technical accessories: **Chrome siphon (SIFL/CR) - Telescopic chrome siphon (SIFL066)**
Stop & Go drain (PLSG)
CERAMIC Stop & Go drain (PLCE)
Two piece set chrome tap filters (RF026)

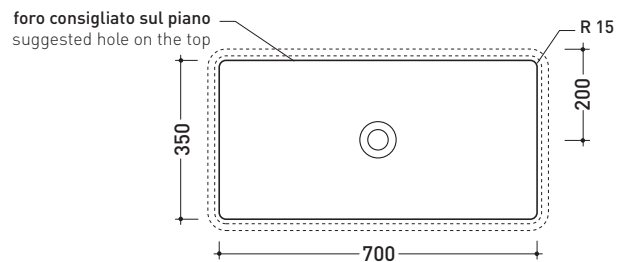
Package dim. **77 x 14,5 x 42 cm** | Weight **21,5 kg** | Pz. Pallet n° **24**



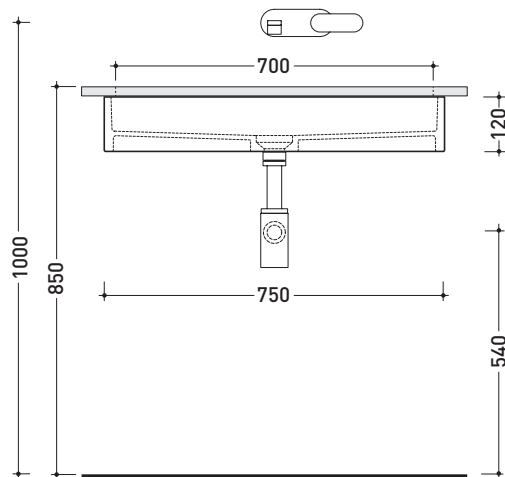
CE UNI EN 14688 - CL00 Dop-No14688



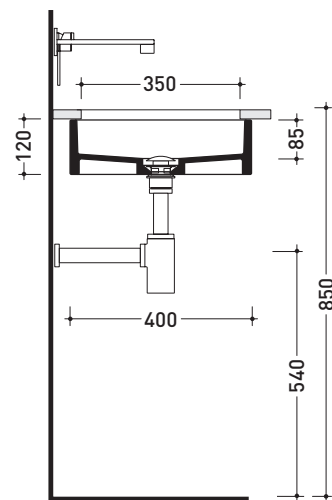
vista zenitale / zenital view



vista zenitale / zenital view



vista frontale / frontal view



sezione longitudinale / section

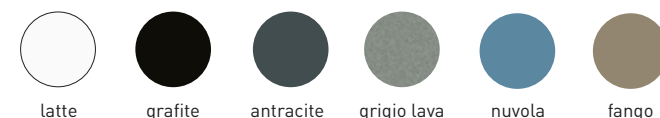
sizes in mm

Please consider a 2% tolerance on indicated measurements

CERAMICA: finiture lucide



finiture opache



finiture cangianti



Miniwash Fly

➔ **FLAMINIA.**

design **FLAMINIA DESIGN TEAM**

2006

FY40PC + MW40SP

Varnished extra_light crystal top from 80 to 200 cm
suitable for Miniwash 40 under-counter basin (fixing brackets included)

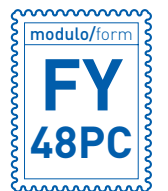
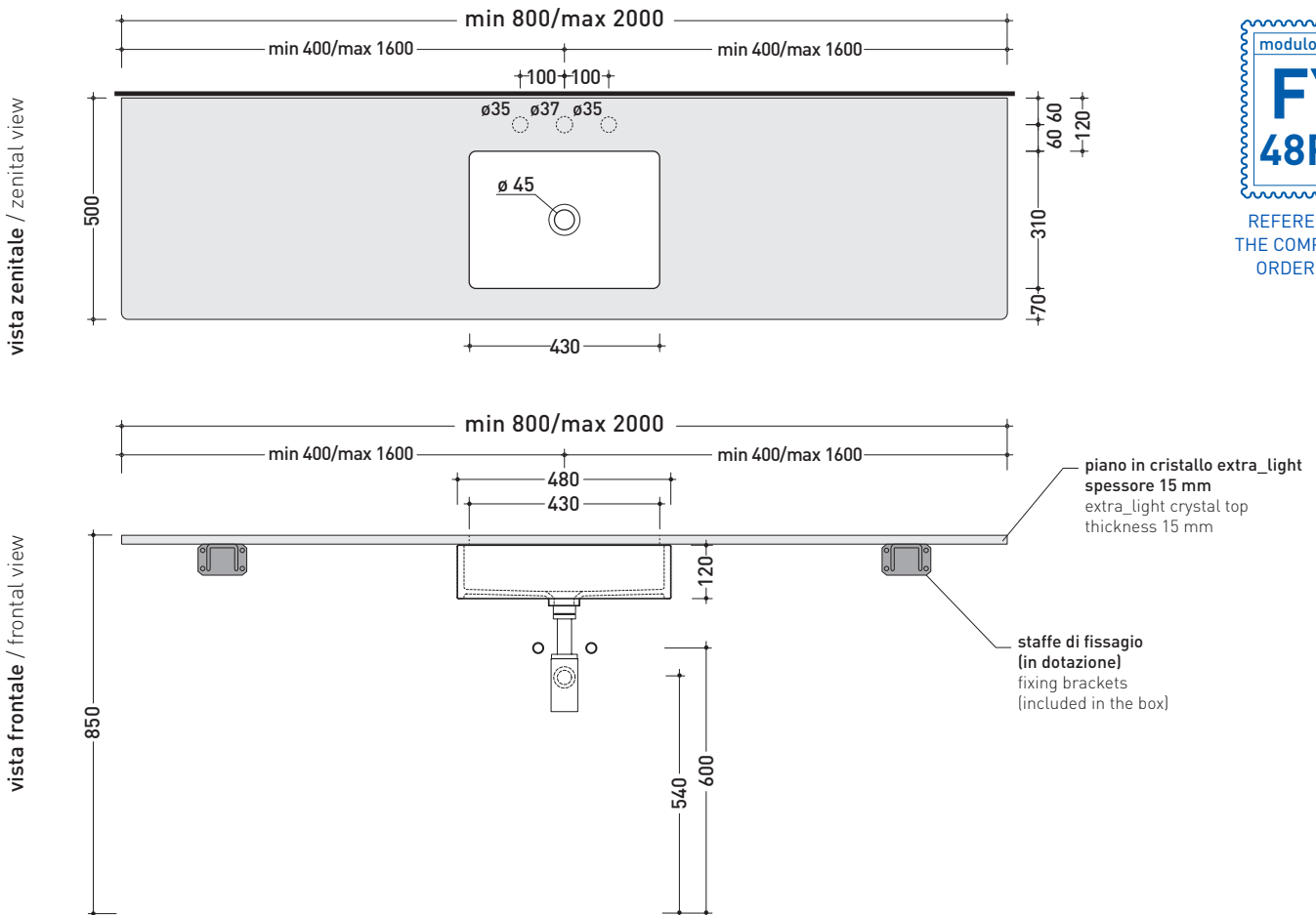
Complements: **Miniwash 40 under-counter basin (MW40SP)**
Make-Up mirrors and lamps
Simple mirrors
Hot/Cold mirror (SPHC)
Left/Right mirror (SPLR)
Line mirrors (BASC20 - BASC30)
Taps basin line: ONE - NOKE' - FOLD - SI
Accessories line: TWO - HOOP - NOKE' - FOLD

Technical accessories: **Chrome siphon (SIFL/CR) - Telescopic chrome siphon (SIFL066)**
Stop & Go drain (PLSG)
CERAMIC Stop & Go drain (PLCE)
Two piece set chrome tap filters (RF026)

Package dim. | Weight | Pz. Pallet n° -



CE



REFERENCE TO
THE COMPULSORY
ORDER FORM

sizes in mm

Please consider a 2% tolerance on indicated measurements

CRYSTAL: glossy finish



white



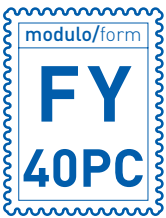
black

<http://www.ceramicaflaminia.it/it/products/300-miniwash-fly>

©ceramicaflaminiaspa - All rights reserved. Unauthorized copying, publication, reproduction as well as partial reproduction are prohibited

march 2017





MODULO PER LA REALIZZAZIONE DEI PIANI IN CRISTALLO **FLY** A MISURA PER ART. **MW40SP**
FLY CUSTOMIZED CRYSTAL SHELVES FOR ART. MW40SP FORM

 **E' obbligatorio fotocopiare questa pagina, compilarla con cura e allegarla all'ordine.**
 Is compulsory to photocopy this page, carefully fill in and attach to the order.

➔➔ **1** DETTAGLI ORDINE / ORDER DETAILS

cliente - client _____

ordine - order n: _____ data - date: _____ ref.: _____

annotazioni - notes _____

➔➔ **2** SCELTA ARTICOLO / ITEM CHOICE

E' importante consultare prima la scheda tecnica relativa
 It's important to consult before the technical detail

art. **FY40PC**
 mensola / shelf da / from **80 a / to 200 cm**

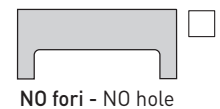
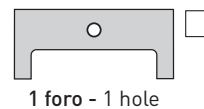
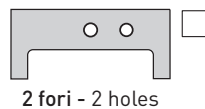
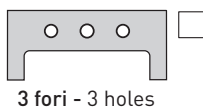
➔➔ **3** SCELTA COLORE / COLOUR SELECTION

CRISTALLO EXTRA_LIGHT
 EXTRA_LIGHT CRYSTAL

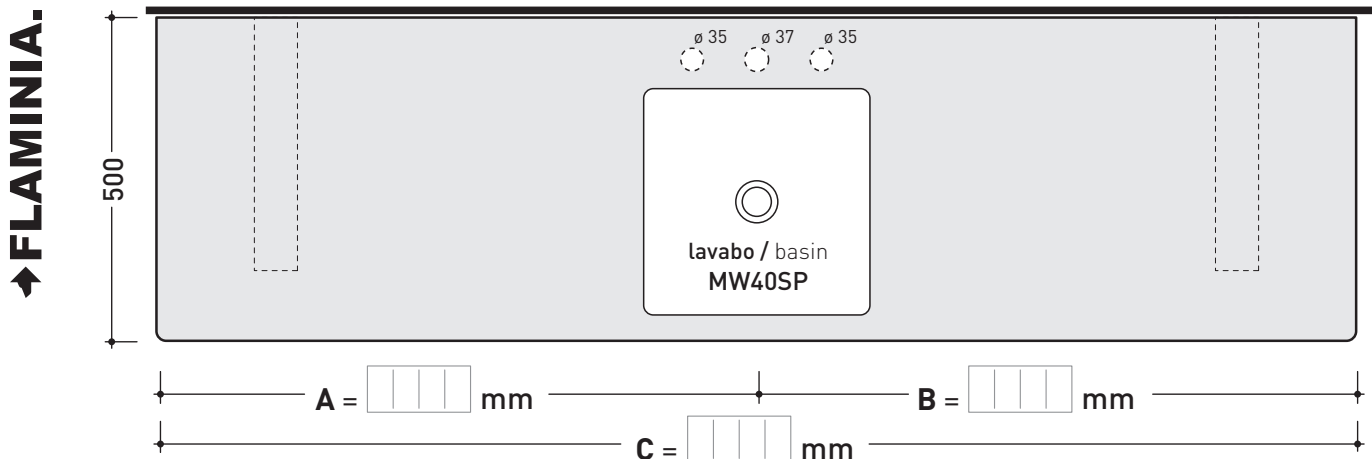
bianco - white nero - black

➔➔ **4** SCELTA DETTAGLI / DETAILS SELECTION

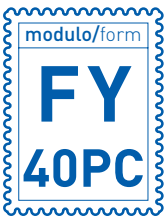
FORI RUBINETTERIA / TAP HOLES



➔➔ **5** SCELTA MISURE / MEASURES



- **A** = misura interasse lavabo da sinistra / left distance of basin.
- **B** = misura interasse lavabo da destra / right distance of basin.
- **C** = misura totale del piano / total length of the shelf.
- verificare sempre che / verify that: **A + B = C**.



MODULO PER LA REALIZZAZIONE DEI PIANI IN CRISTALLO **FLY** A MISURA PER DOPPIO ART. **MW40SP**
FLY CUSTOMIZED CRYSTAL SHELVES FOR DOUBLE ART. MW40SP FORM

E' obbligatorio fotocopiare questa pagina, compilarla con cura e allegarla all'ordine.
 Is compulsory to photocopy this page, carefully fill in and attach to the order.

➔➔ **1** **DETTAGLI ORDINE / ORDER DETAILS**

cliente - client _____

ordine - order n: _____ data - date: _____ ref.: _____

annotazioni - notes _____

➔➔ **2** **SCelta ARTICOLO / ITEM CHOICE**

E' importante consultare prima la scheda tecnica relativa
 It's important to consult before the technical detail

art. **FY40PC**
 mensola / shelf da / from **140 a / to 200 cm**

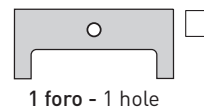
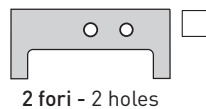
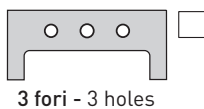
➔➔ **3** **SCelta COLORE / COLOUR SELECTION**

CRISTALLO EXTRA_LIGHT
EXTRA_LIGHT CRYSTAL

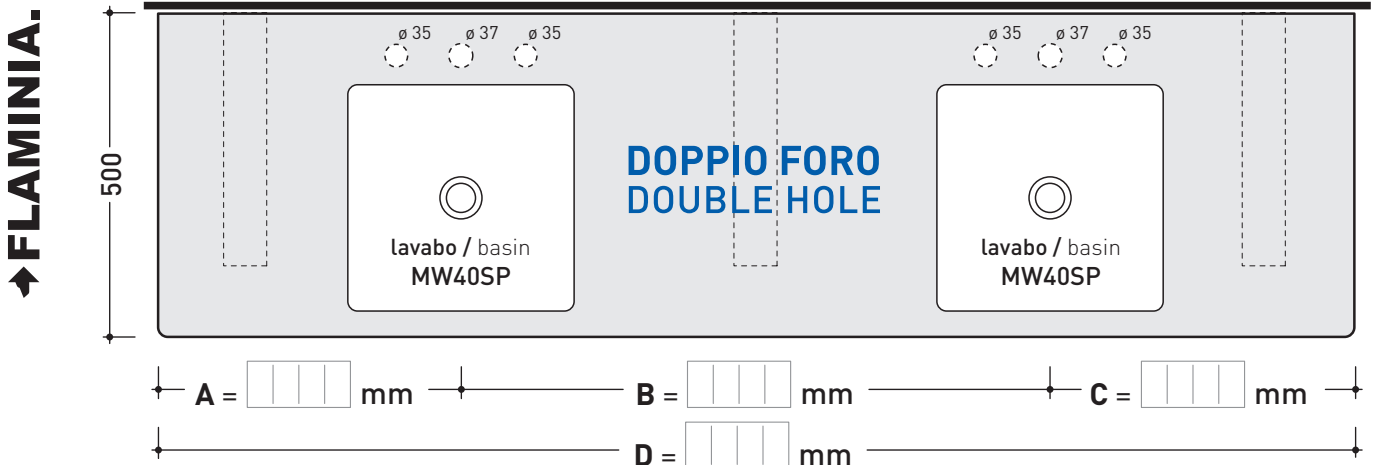
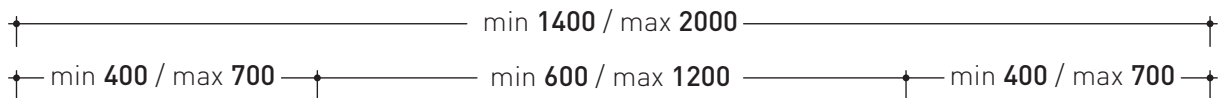
bianco - white nero - black

➔➔ **4** **SCelta DETTAGLI / DETAILS SELECTION**

FORI RUBINETTERIA / TAP HOLES



➔➔ **5** **SCelta MISURE / MEASURES**



- **A** = misura interasse lavabo da sinistra / left distance of basin.
- **B** = misura interasse lavabo da destra / right distance of basin.
- **C** = misura totale del piano / total length of the shelf.
- verificare sempre che / verify that: **A + B + C = D.**

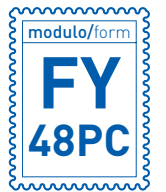
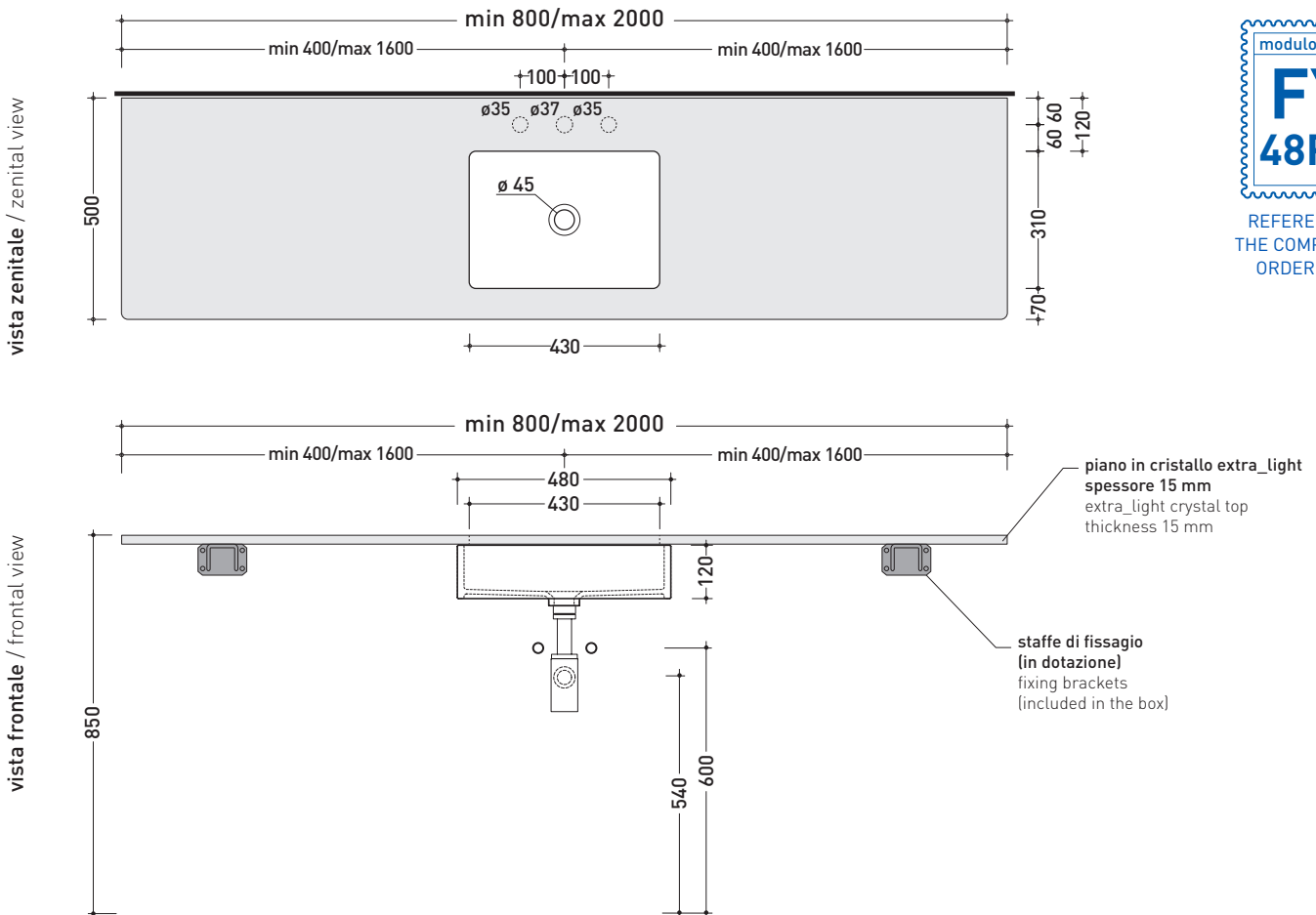
FY48PC + MW48SP

Varnished extra_light crystal top from 80 to 200 cm
suitable for Miniwash 48 under-counter basin (fixing brackets included)

Complements: **Miniwash 48 under-counter basin (MW48SP)**
Make-Up mirrors and lamps
Simple mirrors
Hot/Cold mirror (SPHC)
Left/Right mirror (SPLR)
Line mirrors (BASC20 - BASC30)
Taps basin line: ONE - NOKE' - FOLD - SI
Accessories line: TWO - HOOP - NOKE' - FOLD

Technical accessories: **Chrome siphon (SIFL/CR) - Telescopic chrome siphon (SIFL066)**
Stop & Go drain (PLSG)
CERAMIC Stop & Go drain (PLCE)
Two piece set chrome tap filters (RF026)

Package dim. | Weight | Pz. Pallet n° -



REFERENCE TO
THE COMPULSORY
ORDER FORM

sizes in mm

Please consider a 2% tolerance on indicated measurements

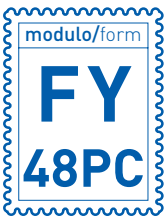
CRYSTAL: glossy finish



white



black



MODULO PER LA REALIZZAZIONE DEI PIANI IN CRISTALLO **FLY** A MISURA PER DOPPIO ART. **MW48SP**

FLY CUSTOMIZED CRYSTAL SHELVES FOR DOUBLE ART. MW48SP FORM



E' obbligatorio fotocopiare questa pagina, compilarla con cura e allegarla all'ordine.
Is compulsory to photocopy this page, carefully fill in and attach to the order.

➔➔ 1 DETTAGLI ORDINE / ORDER DETAILS

cliente - client

ordine - order n:

data - date:

ref.:

annotazioni - notes

➔➔ 2 SCELTA ARTICOLO / ITEM CHOICE

E' importante consultare prima la scheda tecnica relativa
It's important to consult before the technical detail

art. **FY48PC**

mensola / shelf da / from 140 a / to 200 cm

➔➔ 3 SCELTA COLORE / COLOUR SELECTION

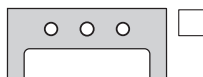
CRISTALLO EXTRA_LIGHT
EXTRA_LIGHT CRYSTAL

bianco - white

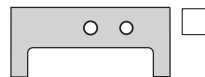
nero - black

➔➔ 4 SCELTA DETTAGLI / DETAILS SELECTION

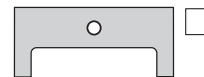
FORI RUBINETTERIA / TAP HOLES



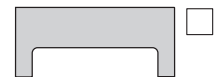
3 fori - 3 holes



2 fori - 2 holes



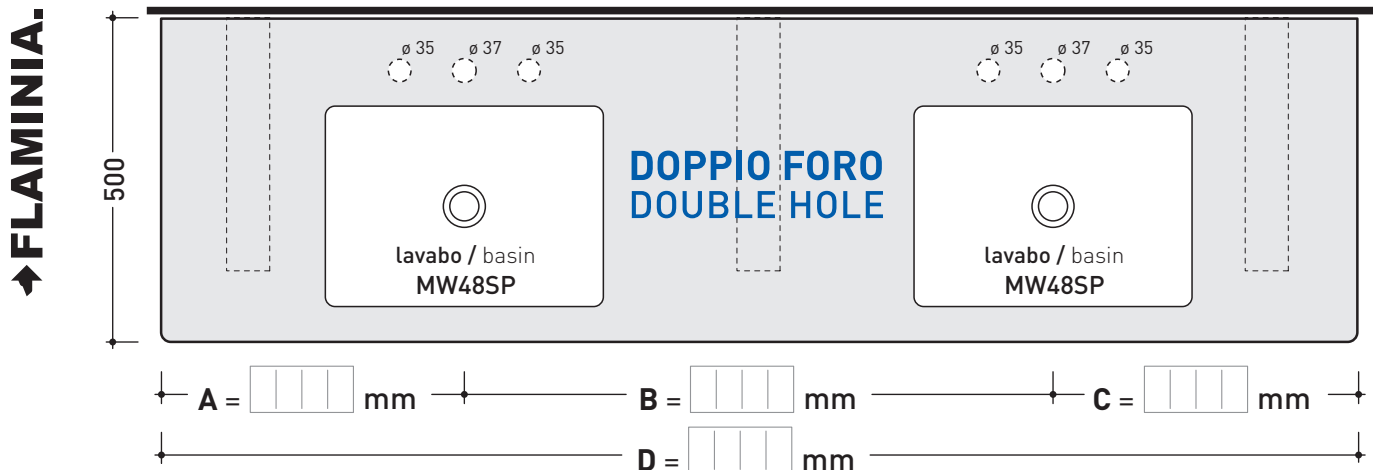
1 foro - 1 hole



NO fori - NO hole

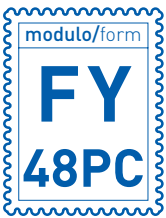
➔➔ 5 SCELTA MISURE / MEASURES

min 1400 / max 2000
min 400 / max 700 min 600 / max 1200 min 400 / max 700



- A = misura interasse lavabo da sinistra / left distance of basin.
- B = misura interasse lavabo da destra / right distance of basin.
- C = misura totale del piano / total length of the shelf.

- C = misura totale del piano / total length of the shelf.
- verificare sempre che / verify that: **A + B + C = D.**



MODULO PER LA REALIZZAZIONE DEI PIANI IN CRISTALLO **FLY** A MISURA PER DOPPIO ART. **MW48SP**

FLY CUSTOMIZED CRYSTAL SHELVES FOR DOUBLE ART. **MW48SP** FORM



E' obbligatorio fotocopiare questa pagina, compilarla con cura e allegarla all'ordine.
Is compulsory to photocopy this page, carefully fill in and attach to the order.

➔➔ 1 DETTAGLI ORDINE / ORDER DETAILS

cliente - client

ordine - order n:

data - date:

ref.:

annotazioni - notes

➔➔ 2 SCELTA ARTICOLO / ITEM CHOICE

E' importante consultare prima la scheda tecnica relativa
It's important to consult before the technical detail

art. **FY48PC**

mensola / shelf da / from 140 a / to 200 cm

➔➔ 3 SCELTA COLORE / COLOUR SELECTION

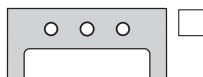
CRISTALLO EXTRA_LIGHT
EXTRA_LIGHT CRYSTAL

bianco - white

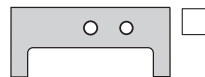
nero - black

➔➔ 4 SCELTA DETTAGLI / DETAILS SELECTION

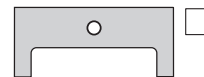
FORI RUBINETTERIA / TAP HOLES



3 fori - 3 holes



2 fori - 2 holes



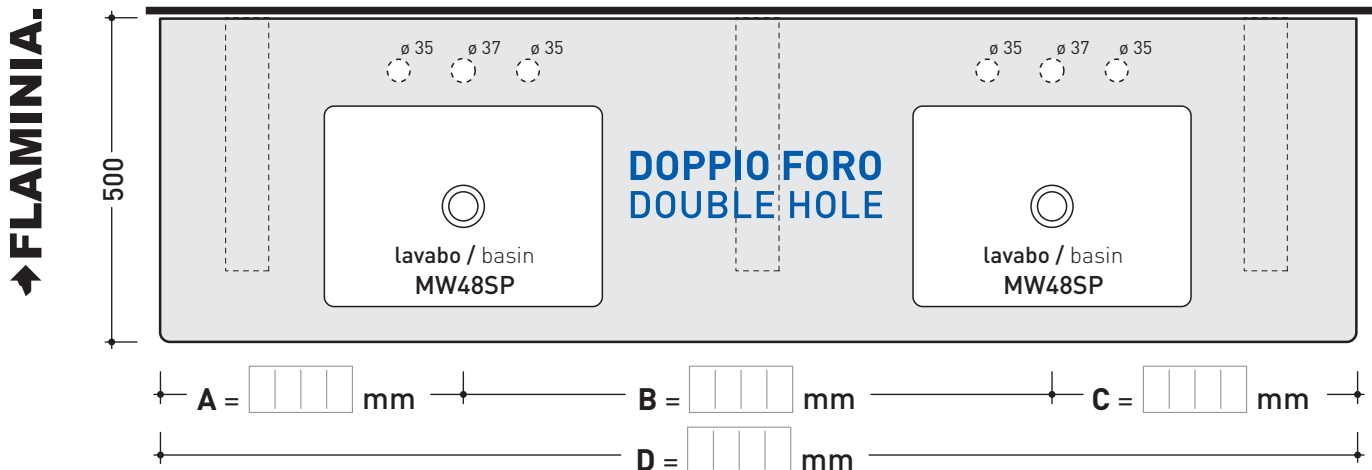
1 foro - 1 hole



NO fori - NO hole

➔➔ 5 SCELTA MISURE / MEASURES

min 1400 / max 2000
min 400 / max 700 min 600 / max 1200 min 400 / max 700



- **A** = misura interasse lavabo da sinistra / left distance of basin.
- **B** = misura interasse lavabo da destra / right distance of basin.
- **C** = misura totale del piano / total length of the shelf.

- **C** = misura totale del piano / total length of the shelf.
- verificare sempre che / verify that: **A + B + C = D.**

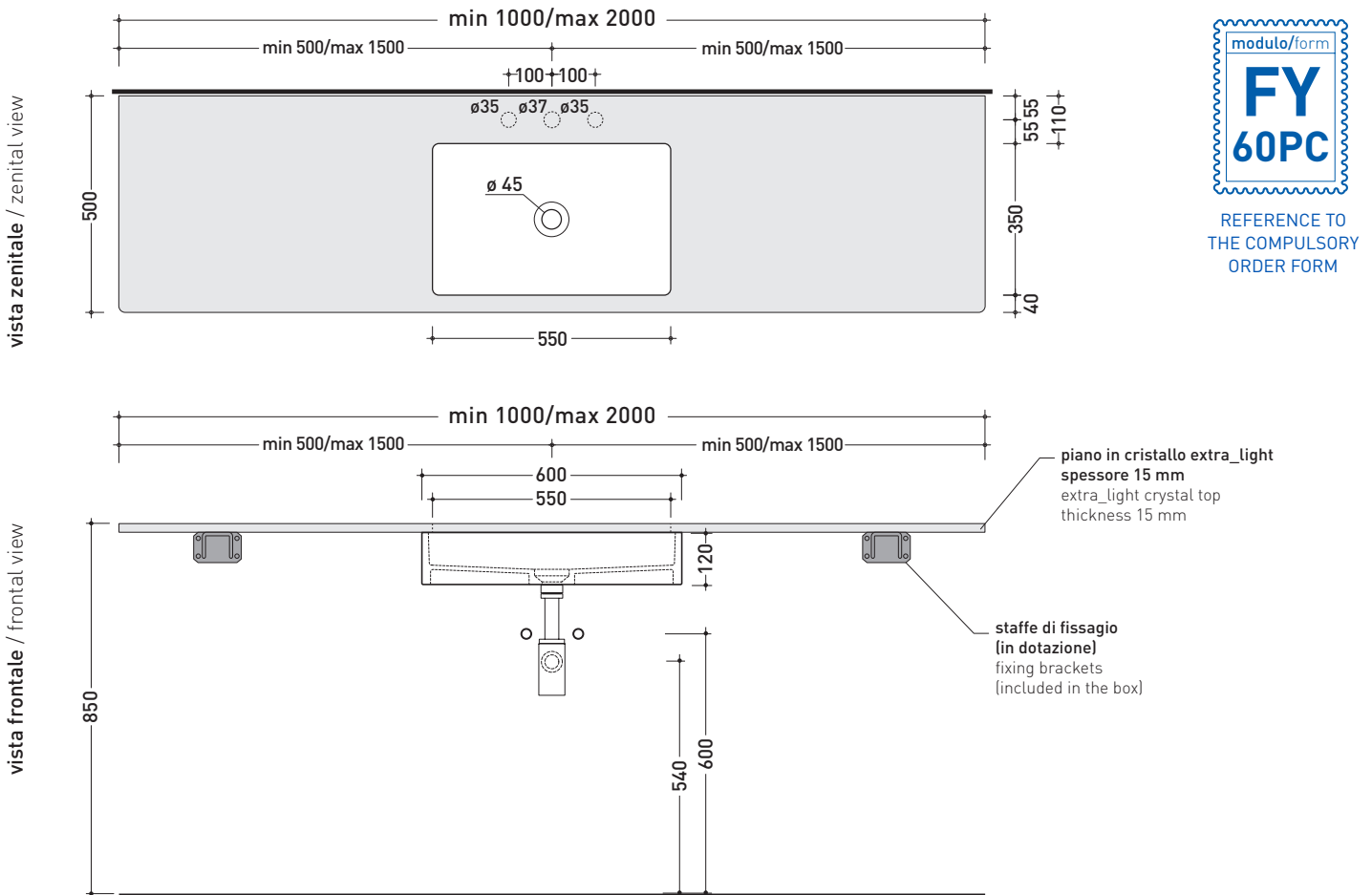
FY60PC + MW60SP

Varnished extra_light crystal top from 100 to 200 cm
suitable for Miniwash 60 under-counter basin (fixing brackets included)

Complements: **Miniwash 60 under-counter basin (MW60SP)**
Make-Up mirrors and lamps
Simple mirrors
Hot/Cold mirror (SPHC)
Left/Right mirror (SPLR)
Line mirrors (BASC20 - BASC30)
Taps basin line: ONE - NOKE' - FOLD - SI
Accessories line: TWO - HOOP - NOKE' - FOLD

Technical accessories: **Chrome siphon (SIFL/CR) - Telescopic chrome siphon (SIFL066)**
Stop & Go drain (PLSG)
CERAMIC Stop & Go drain (PLCE)
Two piece set chrome tap filters (RF026)

Package dim. | Weight | Pz. Pallet n° -



sizes in mm

Please consider a 2% tolerance on indicated measurements

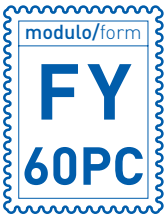
CRYSTAL: glossy finish




white



black



MODULO PER LA REALIZZAZIONE DEI PIANI IN CRISTALLO **FLY** A MISURA PER ART. **MW60SP**
FLY CUSTOMIZED CRYSTAL SHELVES FOR ART. MW60SP FORM

 **E' obbligatorio fotocopiare questa pagina, compilarla con cura e allegarla all'ordine.**
 It is compulsory to photocopy this page, carefully fill in and attach to the order.

➔➔ **1** DETTAGLI ORDINE / ORDER DETAILS

cliente - client _____

ordine - order n: _____ data - date: _____ ref.: _____

annotazioni - notes _____

➔➔ **2** SCELTA ARTICOLO / ITEM CHOICE

E' importante consultare prima la scheda tecnica relativa
 It's important to consult before the technical detail

art. **FY60PC**
 mensola / shelf da / from **100 a / to 200 cm**

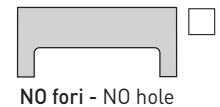
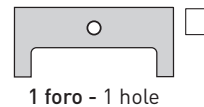
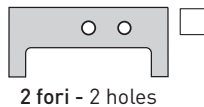
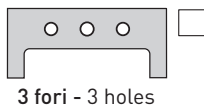
➔➔ **3** SCELTA COLORE / COLOUR SELECTION

CRISTALLO EXTRA_LIGHT
 EXTRA_LIGHT CRYSTAL

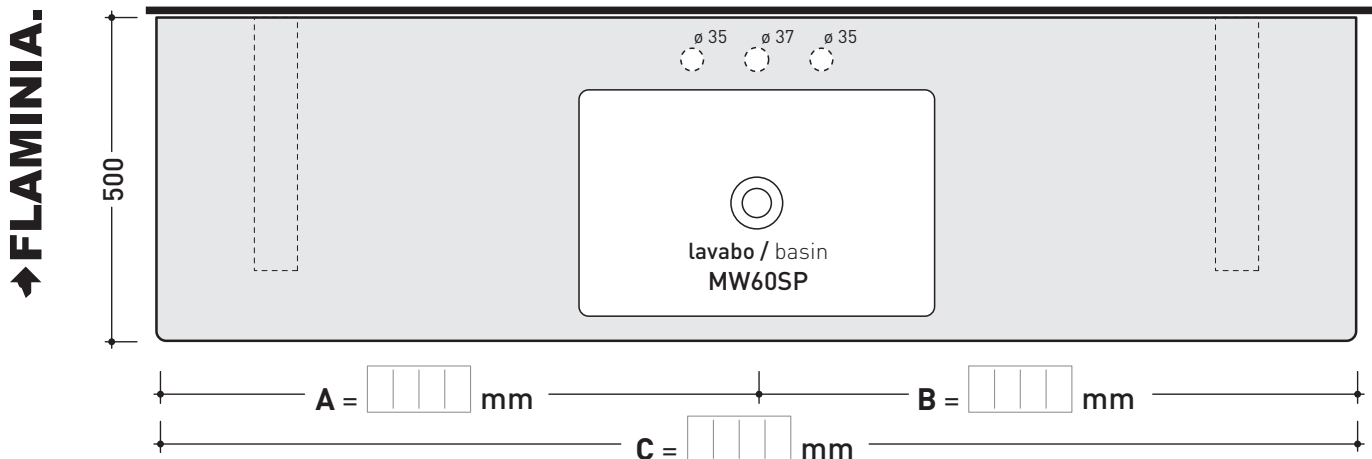
bianco - white nero - black

➔➔ **4** SCELTA DETTAGLI / DETAIL SELECTION

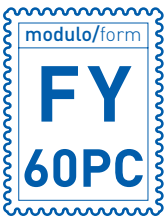
FORI RUBINETTERIA / TAP HOLES




➔➔ **5** SCELTA MISURE / MEASURES



- **A** = misura interasse lavabo da sinistra / left distance of basin.
- **B** = misura interasse lavabo da destra / right distance of basin.
- **C** = misura totale del piano / total length of the shelf.
- verificare sempre che / verify that: **A + B = C**.



MODULO PER LA REALIZZAZIONE DEI PIANI IN CRISTALLO **FLY** A MISURA PER DOPPIO ART. **MW60SP**
FLY CUSTOMIZED CRYSTAL SHELVES FOR DOUBLE ART. MW60SP FORM

 **E' obbligatorio fotocopiare questa pagina, compilarla con cura e allegarla all'ordine.**
 It is compulsory to photocopy this page, carefully fill in and attach to the order.

➔➔ **1** DETTAGLI ORDINE / ORDER DETAILS

cliente - client _____

ordine - order n: _____ data - date: _____ ref.: _____

annotazioni - notes _____

➔➔ **2** SCELTA ARTICOLO / ITEM CHOICE

E' importante consultare prima la scheda tecnica relativa
 It's important to consult before the technical detail

art. **FY60PC**
 mensola / shelf da / from **180 a / to 200 cm**

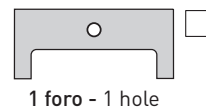
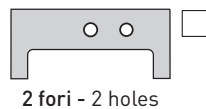
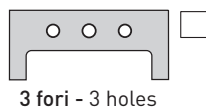
➔➔ **3** SCELTA COLORE / COLOUR SELECTION

CRISTALLO EXTRA_LIGHT
EXTRA_LIGHT CRYSTAL

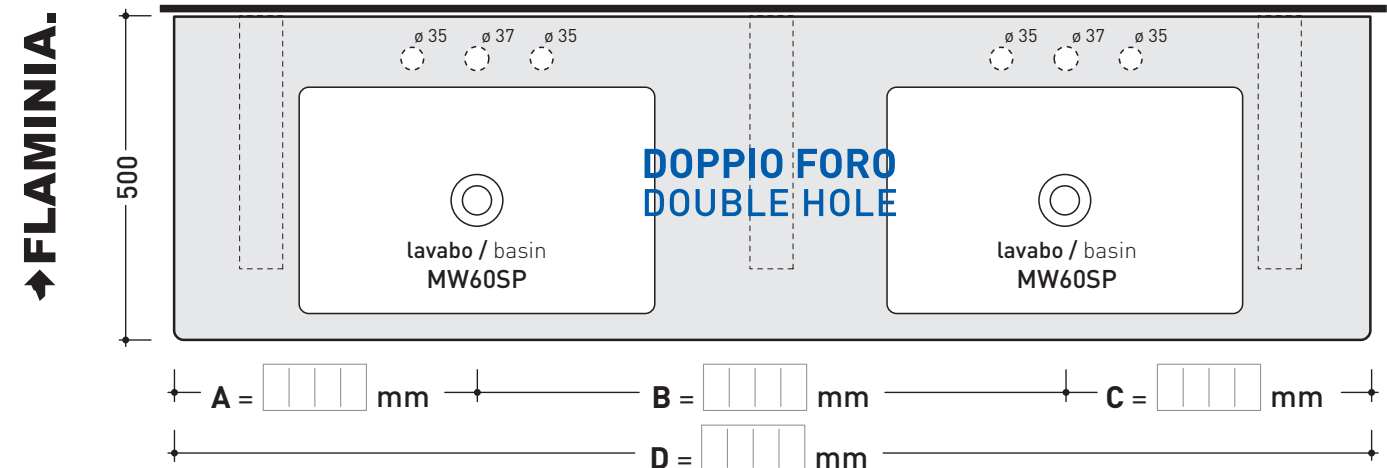
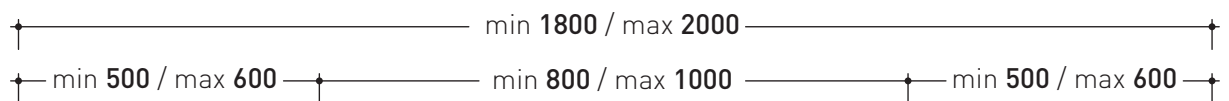
bianco - white nero - black

➔➔ **4** SCELTA DETTAGLI / DETAIL SELECTION

FORI RUBINETTERIA / TAP HOLES



➔➔ **5** SCELTA MISURE / MEASURES



- **A** = misura interasse lavabo da sinistra / left distance of basin.
- **B** = misura interasse lavabi / distance between basins.
- **C** = misura interasse lavabo da destra / right distance of basin.
- **D** = misura totale del piano / total length of the shelf.
- verificare sempre che / verify that: **A + B + C = D.**

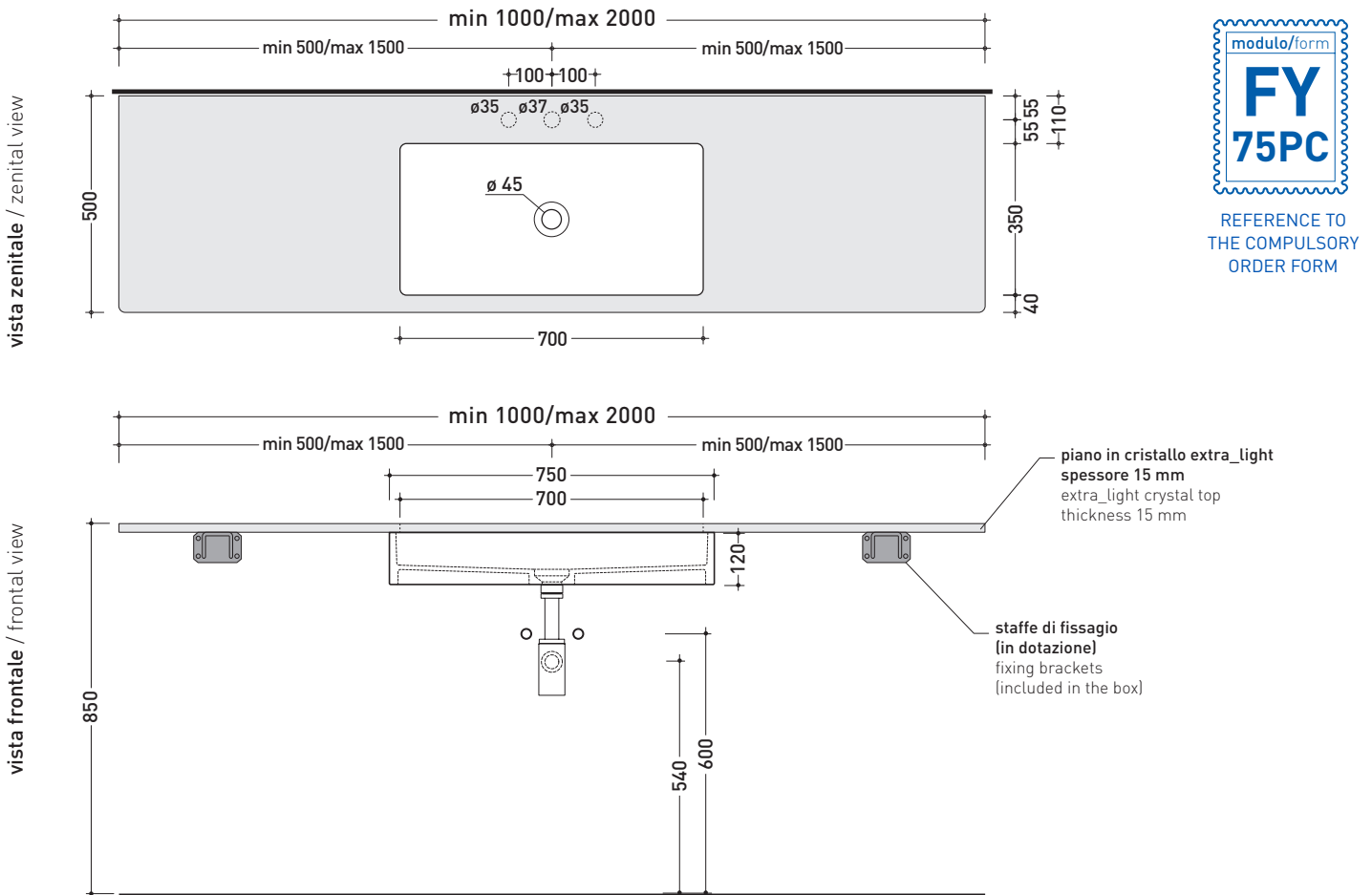
FY75PC + MW75SP

Varnished extra_light crystal top from 100 to 200 cm
suitable for Miniwash 75 under-counter basin (fixing brackets included)

Complements: **Miniwash 75 under-counter basin (MW75SP)**
Make-Up mirrors and lamps
Simple mirrors
Hot/Cold mirror (SPHC)
Left/Right mirror (SPLR)
Line mirrors (BASC20 - BASC30)
Taps basin line: ONE - NOKE' - FOLD - SI
Accessories line: TWO - HOOP - NOKE' - FOLD

Technical accessories: **Chrome siphon (SIFL/CR) - Telescopic chrome siphon (SIFL066)**
Stop & Go drain (PLSG)
CERAMIC Stop & Go drain (PLCE)
Two piece set chrome tap filters (RF026)

Package dim. | Weight | Pz. Pallet n° -



sizes in mm

Please consider a 2% tolerance on indicated measurements

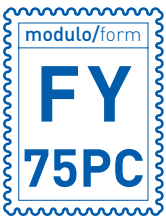
CRYSTAL: glossy finish



white



black



MODULO PER LA REALIZZAZIONE DEI PIANI IN CRISTALLO **FLY** A MISURA PER ART. **MW75SP**
FLY CUSTOMIZED CRYSTAL SHELVES FOR ART. MW75SP FORM



E' obbligatorio fotocopiare questa pagina, compilarla con cura e allegarla all'ordine.
 It is compulsory to photocopy this page, carefully fill in and attach to the order.

➔➔ **1** DETTAGLI ORDINE / ORDER DETAILS

cliente - client _____

ordine - order n: _____ data - date: _____ ref.: _____

annotazioni - notes _____

➔➔ **2** SCELTA ARTICOLO / ITEM CHOICE

E' importante consultare prima la scheda tecnica relativa
 It's important to consult before the technical detail

art. **FY75PC**
 mensola / shelf da / from **100 a / to 200 cm**

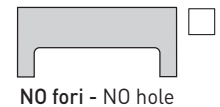
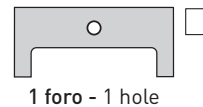
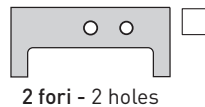
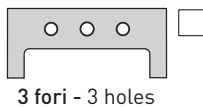
➔➔ **3** SCELTA COLORE / COLOUR SELECTION

CRISTALLO EXTRA_LIGHT
 EXTRA_LIGHT CRYSTAL

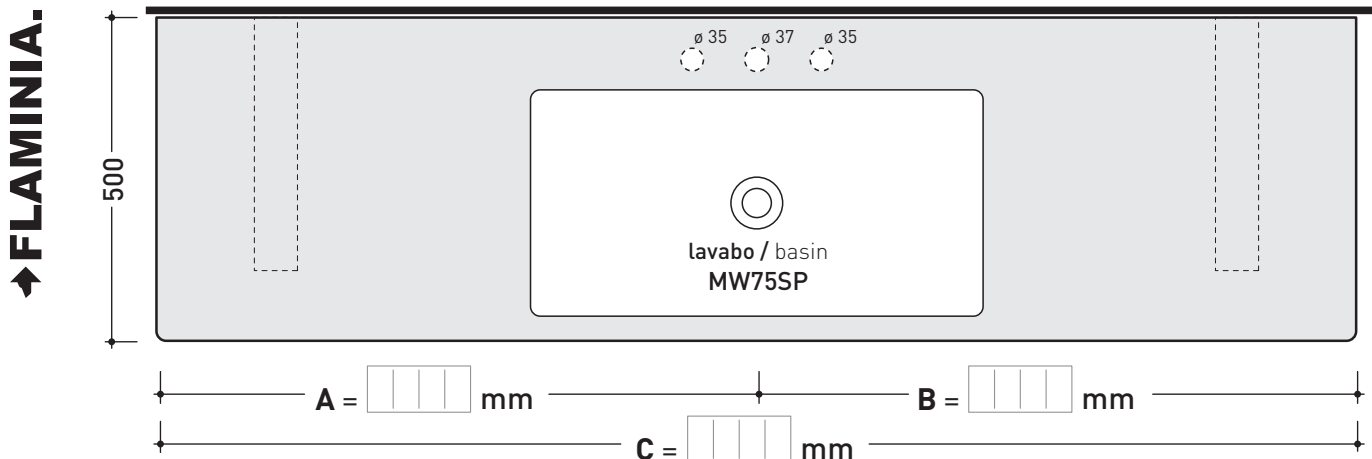
bianco - white nero - black

➔➔ **4** SCELTA DETTAGLI / DETAIL SELECTION

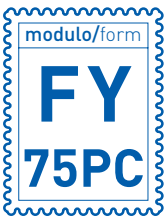
FORI RUBINETTERIA / TAP HOLES



➔➔ **5** SCELTA MISURE / MEASURES



- **A** = misura interasse lavabo da sinistra / left distance of basin.
- **B** = misura interasse lavabo da destra / right distance of basin.
- **C** = misura totale del piano / total length of the shelf.
- verificare sempre che / verify that: **A + B = C**.



MODULO PER LA REALIZZAZIONE DEI PIANI IN CRISTALLO **FLY** A MISURA PER DOPPIO ART. **MW75SP**
FLY CUSTOMIZED CRYSTAL SHELVES FOR DOUBLE ART. MW75SP FORM



E' obbligatorio fotocopiare questa pagina, compilarla con cura e allegarla all'ordine.
 It is compulsory to photocopy this page, carefully fill in and attach to the order.

➔➔ **1** **DETTAGLI ORDINE / ORDER DETAILS**

cliente - client _____

ordine - order n: _____ data - date: _____ ref.: _____

annotazioni - notes _____

➔➔ **2** **SCelta ARTICOLO / ITEM CHOICE**

E' importante consultare prima la scheda tecnica relativa
 It's important to consult before the technical detail

art. **FY75PC**
 mensola / shelf da / from **190 a / to 200 cm**

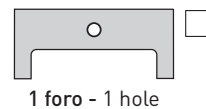
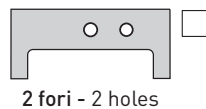
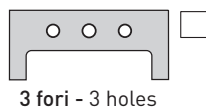
➔➔ **3** **SCelta COLORE / COLOUR SELECTION**

CRISTALLO EXTRA_LIGHT
EXTRA_LIGHT CRYSTAL

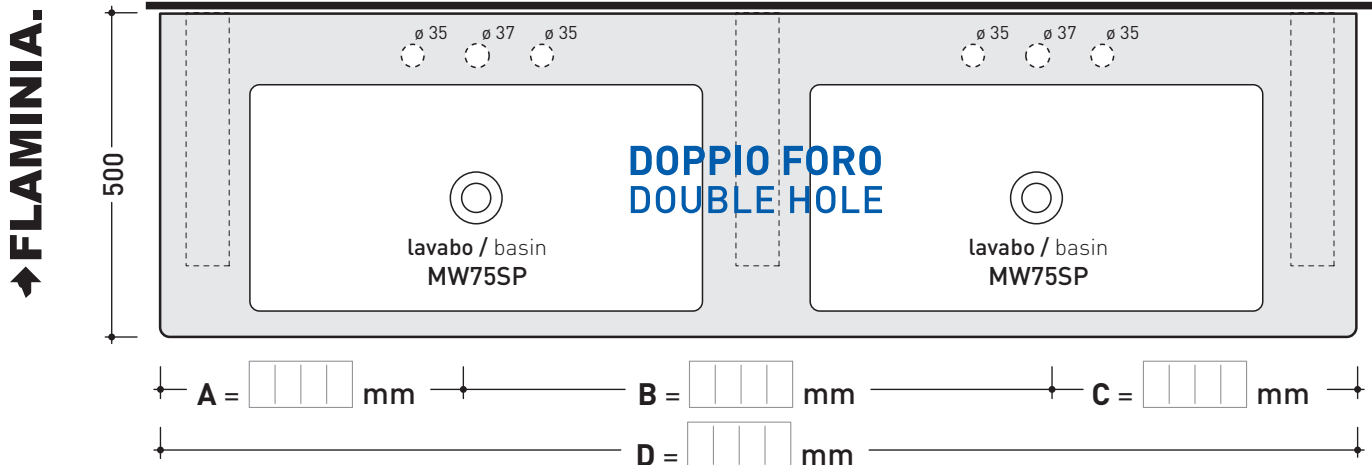
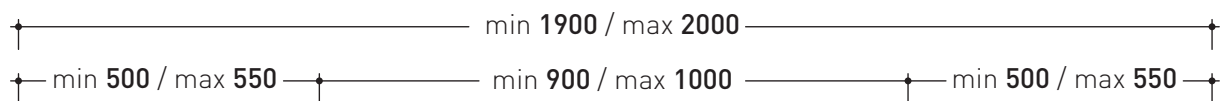
bianco - white nero - black

➔➔ **4** **SCelta DETTAGLI / DETAIL SELECTION**

FORI RUBINETTERIA / TAP HOLES



➔➔ **5** **SCelta MISURE / MEASURES**



- **A** = misura interasse lavabo da sinistra / left distance of basin.
- **B** = misura interasse lavabi / distance between basins.
- **C** = misura interasse lavabo da destra / right distance of basin.
- **D** = misura totale del piano / total length of the shelf.
- verificare sempre che / verify that: **A + B + C = D.**

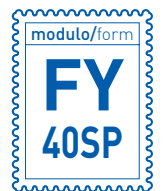
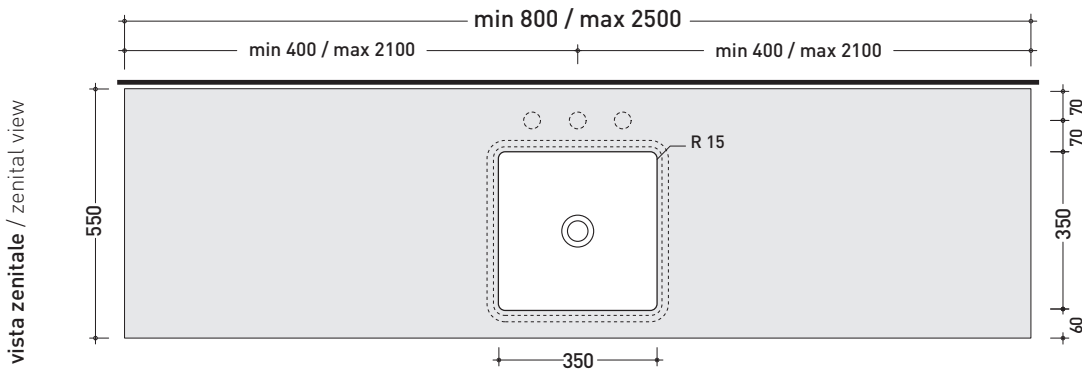
FY40SP+ MW40SP

Pietraluce shelf from 80 to 250 x 55 x h 10 cm
suitable for Miniwash 40 under-counter basin (fixing brackets included)

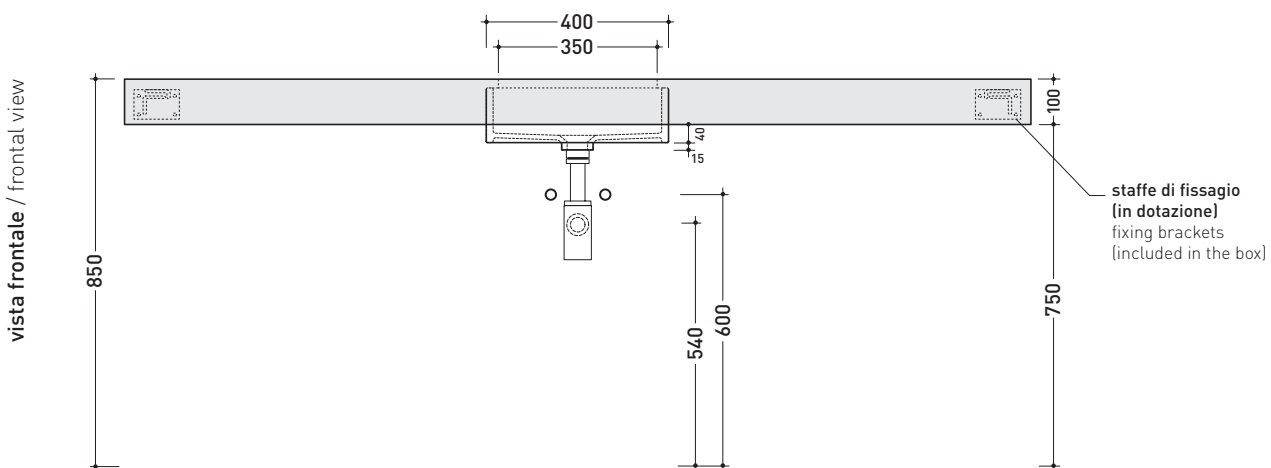
Complements: **Miniwash 40 under-counter basin (MW40SP)**
Make-Up mirrors and lamps
Simple mirrors
Hot/Cold mirror (SPHC)
Left/Right mirror (SPLR)
Line mirrors (BASC20 - BASC30)
Taps basin line: ONE - NOKE' - FOLD - SI
Accessories line: TWO - HOOP - NOKE' - FOLD

Technical accessories: **Chrome siphon (SIFL/CR) - Telescopic chrome siphon (SIFL066)**
Stop & Go drain (PLSG)
CERAMIC Stop & Go drain (PLCE)
Two piece set chrome tap filters (RF026)

Package dim. | Weight | Pz. Pallet n° -



REFERENCE TO
THE COMPULSORY
ORDER FORM



sizes in mm

Please consider a 2% tolerance on indicated measurements

PIETRALUCE: glossy finish

matt finish



white



black



marine blue



red



beige



sand



grey



light blue



pink



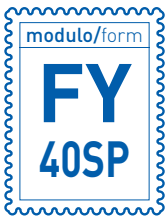
milky white



graphite



lava grey



MODULO PER LA REALIZZAZIONE DELLE MENSOLE **FLYMAX** A MISURA PER ART. **MW40SP**

FLYMAX CUSTOMIZED SHELVES FOR ART. **MW40SP** FORM



E' obbligatorio fotocopiare questa pagina, compilarla con cura e allegarla all'ordine.
It is compulsory to photocopy this page, carefully fill in and attach to the order.

➔➔ **1**

DETTAGLI ORDINE / ORDER DETAILS

cliente - client

ordine - order n:

data - date:

ref.:

annotazioni - notes

➔➔ **2**

SCELTA ARTICOLO / ITEM CHOICE

E' importante consultare prima la scheda tecnica relativa
It's important to consult before the technical detail

art. **FY40SP**

mensola / shelf da / from 142 a / to 250 cm

➔➔ **3**

SCELTA MATERIALE / MATERIAL SELECTION

PIETRALUCE

bianco - white

nero - black

rosa - pink

azzurro - light blue

grigio - grey

sabbia - sand

blu ultram. - marine blue

latte - milky white

beige - beige

rosso cuoio - red

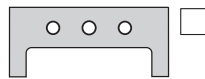
grafite - graphite

gr. lava - lava grey

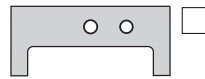
➔➔ **4**

SCELTA DETTAGLI / DETAIL SELECTION

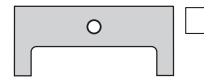
FORI RUBINETTERIA / TAP HOLES



3 fori - 3 holes



2 fori - 2 holes



1 foro - 1 hole



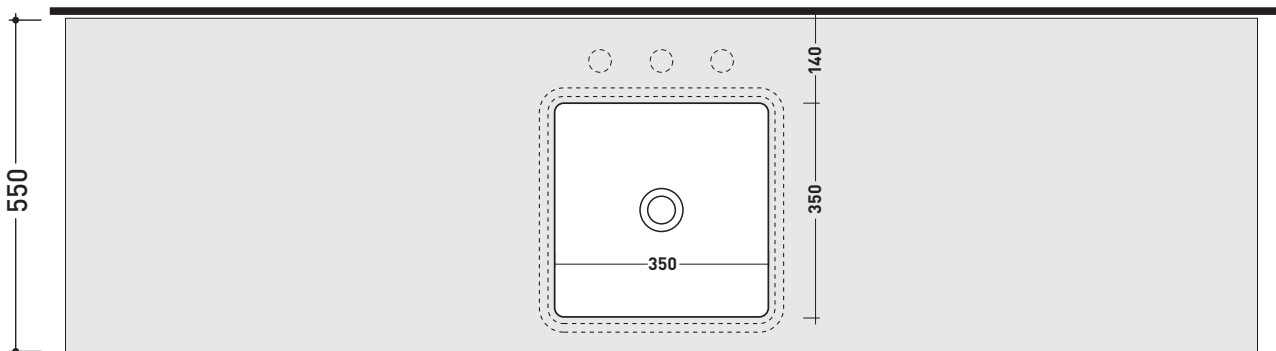
NO fori - NO hole

➔➔ **5**

SCELTA MISURE / MEASURES



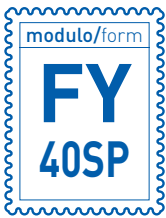
➔ **FLAMINIA.**



lavabo / basin
MW40SP



- **A** = misura interasse lavabo da sinistra / left distance of basin.
- **B** = misura interasse lavabo da destra / right distance of basin.
- **C** = misura totale della mensola / total length of the shelf.
- verificare sempre che / verify that: **A + B = C**.



MODULO PER LA REALIZZAZIONE DELLE MENSOLE **FLYMAX** A MISURA PER DOPPIO ART. **MW40SP**

FLYMAX CUSTOMIZED SHELVES FOR DOUBLE ART. **MW40SP** FORM



E' obbligatorio fotocopiare questa pagina, compilarla con cura e allegarla all'ordine.
It is compulsory to photocopy this page, carefully fill in and attach to the order.

➔➔ 1 DETTAGLI ORDINE / ORDER DETAILS

cliente - client

ordine - order n:

data - date:

ref.:

annotazioni - notes

➔➔ 2 SCELTA ARTICOLO / ITEM CHOICE

E' importante consultare prima la scheda tecnica relativa
It's important to consult before the technical detail

art. **FY40SP**

mensola / shelf da / from 148 a / to 250 cm

➔➔ 3 SCELTA MATERIALE / MATERIAL SELECTION

PIETRALUCE

bianco - white

nero - black

rosa - pink

azzurro - light blue

grigio - grey

sabbia - sand

blu ultram. - marine blue

latte - milky white

beige - beige

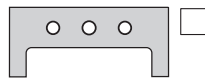
rosso cuoio - red

grafite - graphite

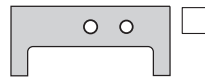
gr. lava - lava grey

➔➔ 4 SCELTA DETTAGLI / DETAIL SELECTION

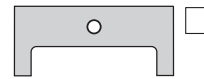
FORI RUBINETTERIA / TAP HOLES



3 fori - 3 holes



2 fori - 2 holes



1 foro - 1 hole

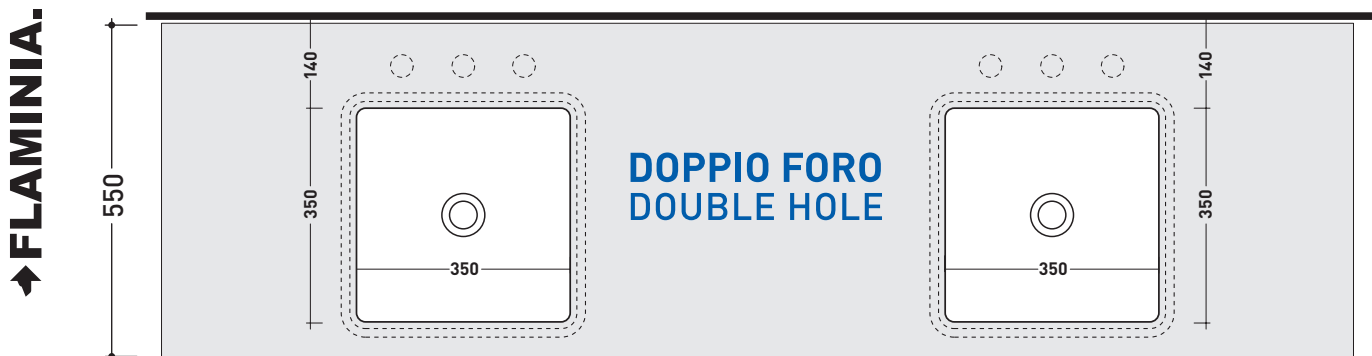


NO fori - NO hole

➔➔ 5 SCELTA MISURE / MEASURES

min 1480 / max 2500

min 400 / max 910 min 680 / max 1700 min 400 / max 910



lavabo / basin
MW40SP

lavabo / basin
MW40SP

A = mm B = mm C = mm

D = mm

- A = misura interasse lavabo da sinistra / left distance of basin.
- B = misura interasse lavabi / distance between basins.
- C = misura interasse lavabo da destra / right distance of basin.

- D = misura totale della mensola / total length of the shelf.
- verificare sempre che / verify that: **A + B + C = D.**

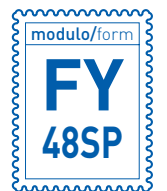
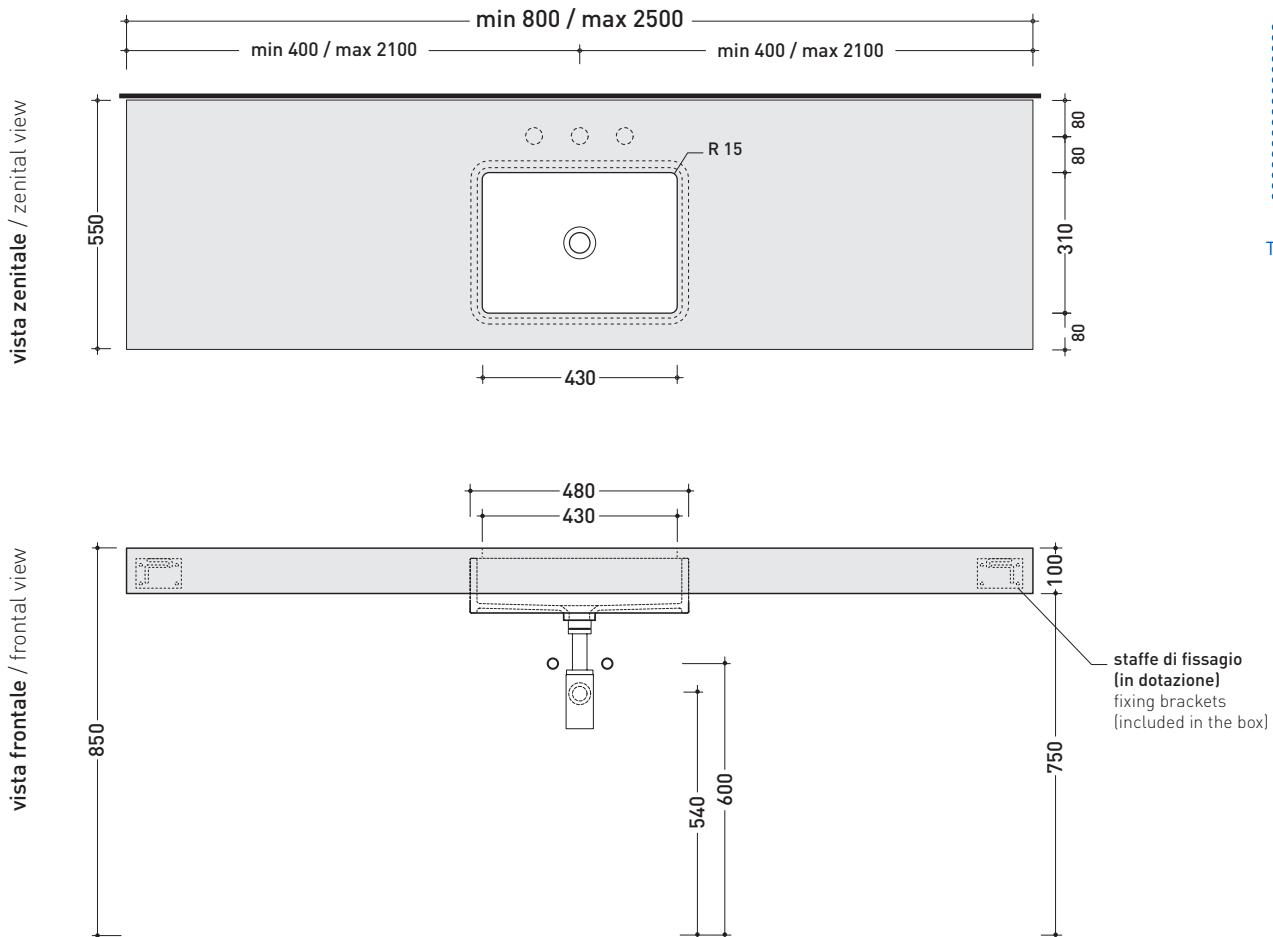
FY48SP + MW48SP

Pietraluce shelf from 80 to 250 x 55 x h 10 cm
suitable for Miniwash 48 under-counter basin (fixing brackets included)

Complements: **Miniwash 48 under-counter basin (MW48SP)**
Make-Up mirrors and lamps
Simple mirrors
Hot/Cold mirror (SPHC)
Left/Right mirror (SPLR)
Line mirrors (BASC20 - BASC30)
Taps basin line: ONE - NOKE' - FOLD - SI
Accessories line: TWO - HOOP - NOKE' - FOLD

Technical accessories: **Chrome siphon (SIFL/CR) - Telescopic chrome siphon (SIFL066)**
Stop & Go drain (PLSG)
CERAMIC Stop & Go drain (PLCE)
Two piece set chrome tap filters (RF026)

Package dim. | Weight | Pz. Pallet n° -



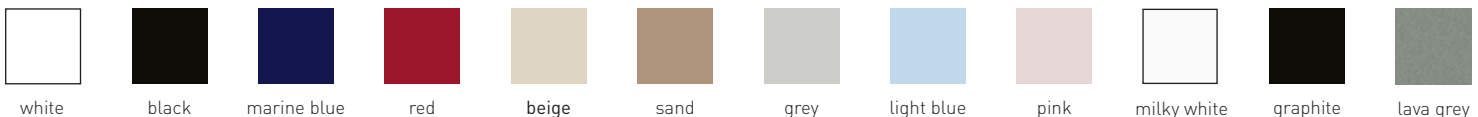
REFERENCE TO
THE COMPULSORY
ORDER FORM

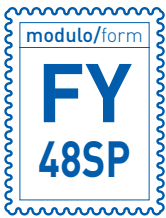
sizes in mm

Please consider a 2% tolerance on indicated measurements

PIETRALUCE: glossy finish

matt finish





MODULO PER LA REALIZZAZIONE DELLE MENSOLE **FLYMAX** A MISURA PER ART. **MW48SP**

FLYMAX CUSTOMIZED SHELVES FOR ART. **MW48SP** FORM



E' obbligatorio fotocopiare questa pagina, compilarla con cura e allegarla all'ordine.
It is compulsory to photocopy this page, carefully fill in and attach to the order.

➔➔ 1 DETTAGLI ORDINE / ORDER DETAILS

cliente - client

ordine - order n:

data - date:

ref.:

annotazioni - notes

➔➔ 2 SCELTA ARTICOLO / ITEM CHOICE

E' importante consultare prima la scheda tecnica relativa
It's important to consult before the technical detail

art. **FY48SP**

mensola / shelf da / from **80 a / to 250 cm**

➔➔ 3 SCELTA MATERIALE / MATERIAL SELECTION

PIETRALUCE

bianco - white

nero - black

rosa - pink

azzurro - light blue

grigio - grey

sabbia - sand

blu ultram. - marine blue

latte - milky white

beige - beige

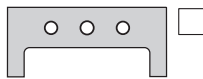
rosso cuoio - red

grafite - graphite

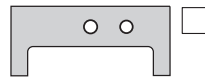
gr. lava - lava grey

➔➔ 4 SCELTA DETTAGLI / DETAIL SELECTION

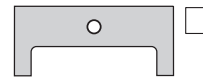
FORI RUBINETTERIA / TAP HOLES



3 fori - 3 holes



2 fori - 2 holes



1 foro - 1 hole

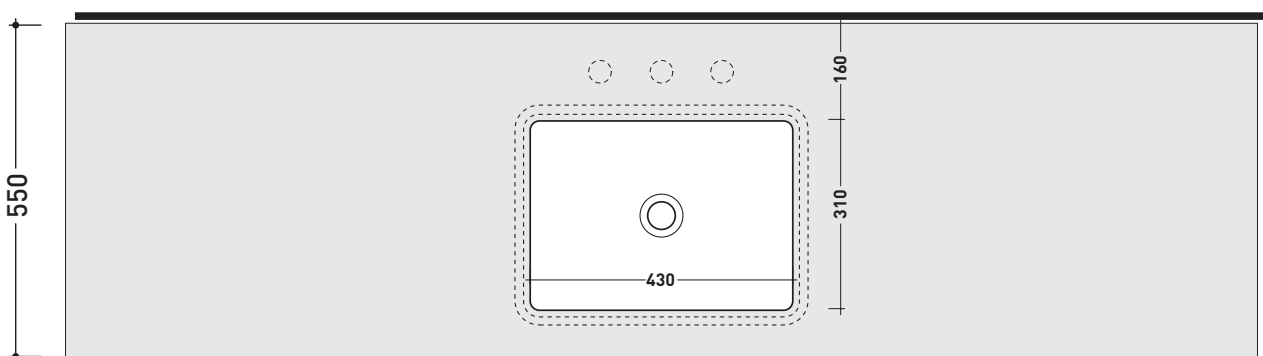


NO fori - NO hole

➔➔ 5 SCELTA MISURE / MEASURES



➔ **FLAMINIA.**



lavabo / basin
MW48SP



- **A** = misura interasse lavabo da sinistra / left distance of basin.
- **B** = misura interasse lavabo da destra / right distance of basin.
- **C** = misura totale della mensola / total length of the shelf.
- verificare sempre che / verify that: **A + B = C**.



MODULO PER LA REALIZZAZIONE DELLE MENSOLE **FLYMAX** A MISURA PER DOPPIO ART. **MW48SP**

FLYMAX CUSTOMIZED SHELVES FOR DOUBLE ART. MW48SP FORM



E' obbligatorio fotocopiare questa pagina, compilarla con cura e allegarla all'ordine.
It is compulsory to photocopy this page, carefully fill in and attach to the order.

➔➔ **1**

DETTAGLI ORDINE / ORDER DETAILS

cliente - client _____

ordine - order n: _____ data - date: _____ ref.: _____

annotazioni - notes _____

➔➔ **2**

SCelta ARTICOLO / ITEM CHOICE

E' importante consultare prima la scheda tecnica relativa
It's important to consult before the technical detail

art. **FY48SP**
mensola / shelf da / from **148 a / to 250 cm**

➔➔ **3**

SCelta MATERIALE / MATERIAL SELECTION

PIETRALUCE

- | | | | |
|---|--|--|---|
| <input type="checkbox"/> bianco - white | <input type="checkbox"/> nero - black | <input type="checkbox"/> rosa - pink | <input type="checkbox"/> azzurro - light blue |
| <input type="checkbox"/> grigio - grey | <input type="checkbox"/> sabbia - sand | <input type="checkbox"/> blu ultram. - marine blue | <input type="checkbox"/> latte - milky white |
| <input type="checkbox"/> beige - beige | <input type="checkbox"/> rosso cuoio - red | <input type="checkbox"/> grafite - graphite | <input type="checkbox"/> gr. lava - lava grey |

➔➔ **4**

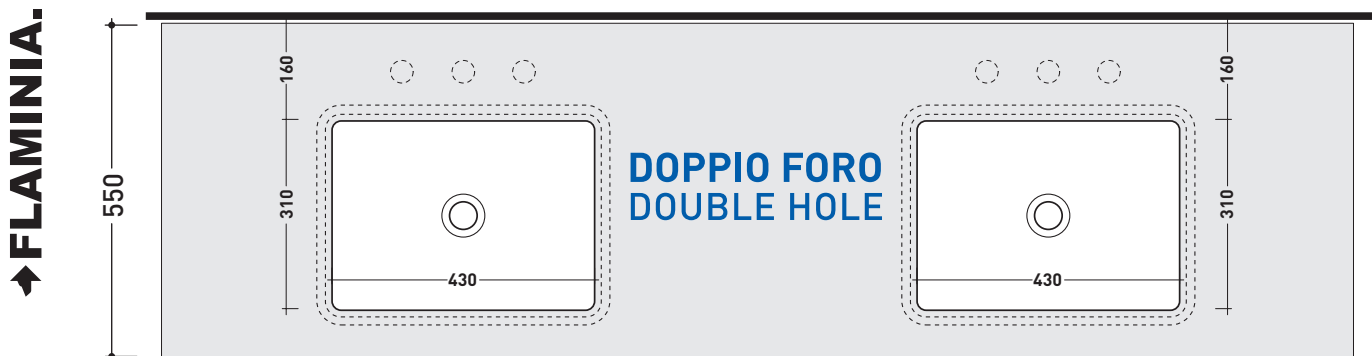
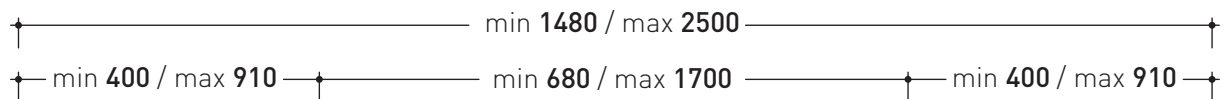
SCelta DETTAGLI / DETAIL SELECTION

FORI RUBINETTERIA / TAP HOLES

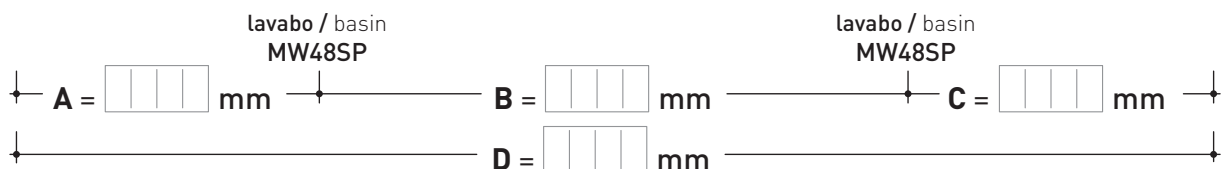


➔➔ **5**

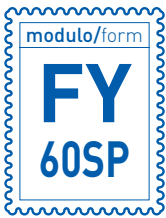
SCelta MISURE / MEASURES



➔ **FLAMINIA.**



- **A** = misura interasse lavabo da sinistra / left distance of basin.
- **B** = misura interasse lavabi / distance between basins.
- **C** = misura interasse lavabo da destra / right distance of basin.
- **D** = misura totale della mensola / total length of the shelf.
- verificare sempre che / verify that: **A + B + C = D.**



MODULO PER LA REALIZZAZIONE DELLE MENSOLE **FLYMAX** A MISURA PER ART. **MW60SP**

FLYMAX CUSTOMIZED SHELVES FOR ART. **MW60SP** FORM



E' obbligatorio fotocopiare questa pagina, compilarla con cura e allegarla all'ordine.
It is compulsory to photocopy this page, carefully fill in and attach to the order.

➔➔ 1 DETTAGLI ORDINE / ORDER DETAILS

cliente - client

ordine - order n:

data - date:

ref.:

annotazioni - notes

➔➔ 2 SCELTA ARTICOLO / ITEM CHOICE

E' importante consultare prima la scheda tecnica relativa
It's important to consult before the technical detail

art. **FY60SP**

mensola / shelf da / from 100 a / to 250 cm

➔➔ 3 SCELTA MATERIALE / MATERIAL SELECTION

PIETRALUCE

bianco - white

nero - black

rosa - pink

azzurro - light blue

grigio - grey

sabbia - sand

blu ultram. - marine blue

latte - milky white

beige - beige

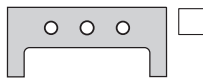
rosso cuoio - red

grafite - graphite

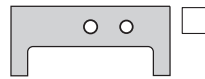
gr. lava - lava grey

➔➔ 4 SCELTA DETTAGLI / DETAIL SELECTION

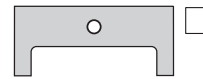
FORI RUBINETTERIA / TAP HOLES



3 fori - 3 holes



2 fori - 2 holes

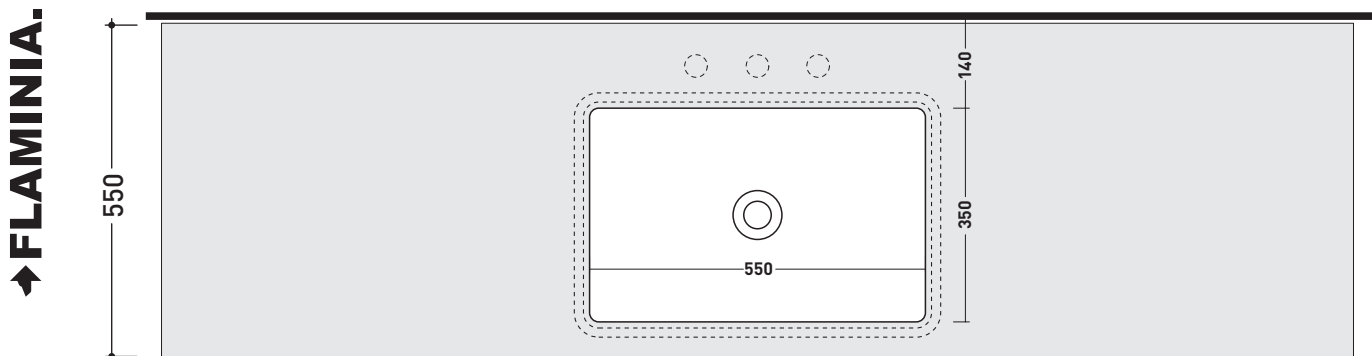


1 foro - 1 hole



NO fori - NO hole

➔➔ 5 SCELTA MISURE / MEASURES

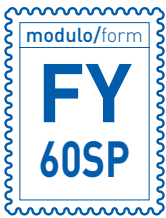


A = mm

B = mm

C = mm

- A = misura interasse lavabo da sinistra / left distance of basin.
- B = misura interasse lavabo da destra / right distance of basin.
- C = misura totale della mensola / total length of the shelf.
- verificare sempre che / verify that: **A + B = C.**



MODULO PER LA REALIZZAZIONE DELLE MENSOLE **FLYMAX** A MISURA PER DOPPIO ART. **MW60SP**

FLYMAX CUSTOMIZED SHELVES FOR DOUBLE ART. **MW60SP** FORM



E' obbligatorio fotocopiare questa pagina, compilarla con cura e allegarla all'ordine.
It is compulsory to photocopy this page, carefully fill in and attach to the order.

➔➔ **1**

DETTAGLI ORDINE / ORDER DETAILS

cliente - client _____

ordine - order n: _____ data - date: _____ ref.: _____

annotazioni - notes _____

➔➔ **2**

SCelta ARTICOLO / ITEM CHOICE

E' importante consultare prima la scheda tecnica relativa
It's important to consult before the technical detail

art. **FY60SP**
mensola / shelf da / from **180 a** / to **250 cm**

➔➔ **3**

SCelta MATERIALE / MATERIAL SELECTION

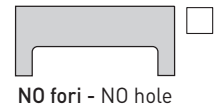
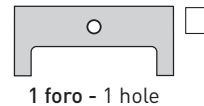
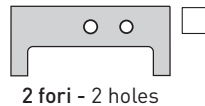
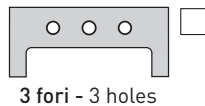
PIETRALUCE

- | | | | |
|---|--|--|---|
| <input type="checkbox"/> bianco - white | <input type="checkbox"/> nero - black | <input type="checkbox"/> rosa - pink | <input type="checkbox"/> azzurro - light blue |
| <input type="checkbox"/> grigio - grey | <input type="checkbox"/> sabbia - sand | <input type="checkbox"/> blu ultram. - marine blue | <input type="checkbox"/> latte - milky white |
| <input type="checkbox"/> beige - beige | <input type="checkbox"/> rosso cuoio - red | <input type="checkbox"/> grafite - graphite | <input type="checkbox"/> gr. lava - lava grey |

➔➔ **4**

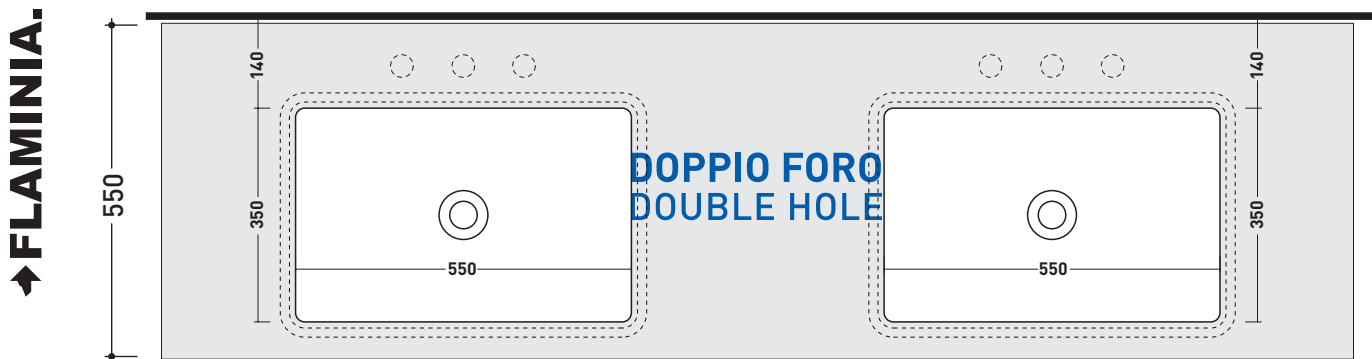
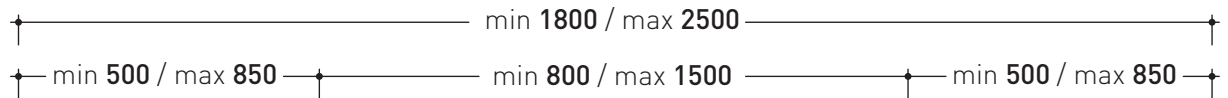
SCelta DETTAGLI / DETAIL SELECTION

FORI RUBINETTERIA / TAP HOLES



➔➔ **5**

SCelta MISURE / MEASURES



lavabo / basin MW60SP lavabo / basin MW60SP

A = mm B = mm C = mm

D = mm

- A = misura interasse lavabo da sinistra / left distance of basin.
- B = misura interasse lavabi / distance between basins.
- C = misura interasse lavabo da destra / right distance of basin.
- D = misura totale della mensola / total length of the shelf.
- verificare sempre che / verify that: **A + B + C = D.**

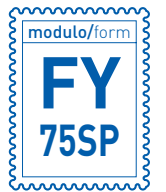
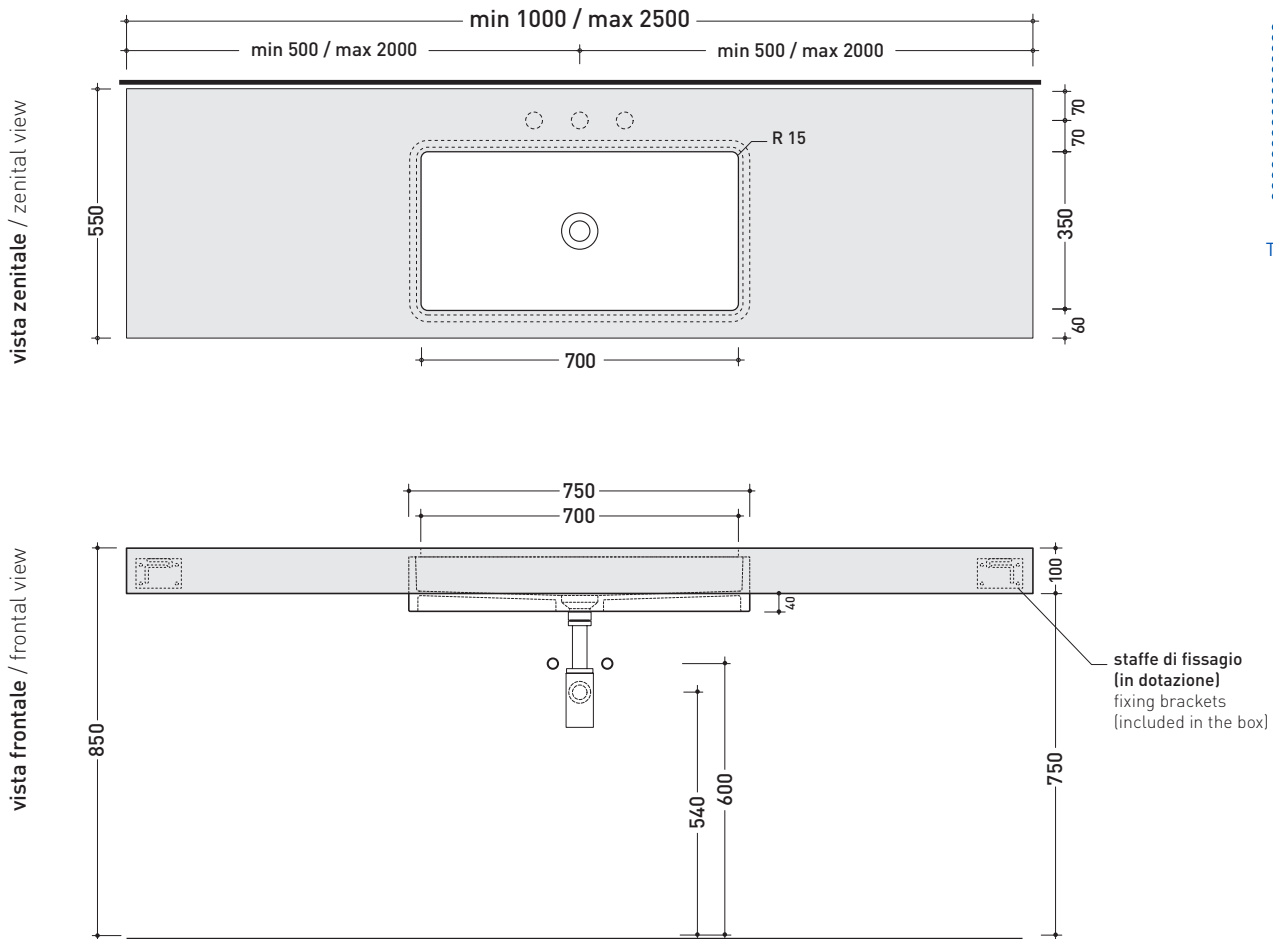
FY75SP + MW75SP

Pietraluce shelf from 100 to 250 x 55 x h 10 cm
suitable for Miniwash 75 under-counter basin (fixing brackets included)

Complements: **Miniwash 75 under-counter basin (MW75SP)**
Make-Up mirrors and lamps
Simple mirrors
Hot/Cold mirror (SPHC)
Left/Right mirror (SPLR)
Line mirrors (BASC20 - BASC30)
Taps basin line: ONE - NOKE' - FOLD - SI
Accessories line: TWO - HOOP - NOKE' - FOLD

Technical accessories: **Chrome siphon (SIFL/CR) - Telescopic chrome siphon (SIFL066)**
Stop & Go drain (PLSG)
CERAMIC Stop & Go drain (PLCE)
Two piece set chrome tap filters (RF026)

Package dim. | Weight | Pz. Pallet n° -



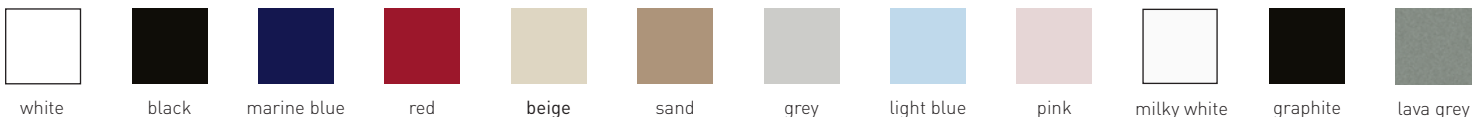
REFERENCE TO
THE COMPULSORY
ORDER FORM

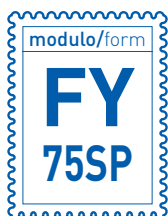
sizes in mm

Please consider a 2% tolerance on indicated measurements

PIETRALUCE: glossy finish

matt finish





MODULO PER LA REALIZZAZIONE DELLE MENSOLE **FLYMAX** A MISURA PER ART. **MW75SP**

FLYMAX CUSTOMIZED SHELVES FOR ART. **MW75SP** FORM



E' obbligatorio fotocopiare questa pagina, compilarla con cura e allegarla all'ordine.
It is compulsory to photocopy this page, carefully fill in and attach to the order.

➔➔ 1 DETTAGLI ORDINE / ORDER DETAILS

cliente - client

ordine - order n:

data - date:

ref.:

annotazioni - notes

➔➔ 2 SCELTA ARTICOLO / ITEM CHOICE

E' importante consultare prima la scheda tecnica relativa
It's important to consult before the technical detail

art. **FY75SP**

mensola / shelf da / from 100 a / to 250 cm

➔➔ 3 SCELTA MATERIALE / MATERIAL SELECTION

PIETRALUCE

bianco - white

nero - black

rosa - pink

azzurro - light blue

grigio - grey

sabbia - sand

blu ultram. - marine blue

latte - milky white

beige - beige

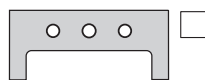
rosso cuoio - red

grafite - graphite

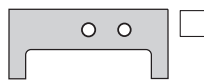
gr. lava - lava grey

➔➔ 4 SCELTA DETTAGLI / DETAIL SELECTION

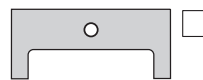
FORI RUBINETTERIA / TAP HOLES



3 fori - 3 holes



2 fori - 2 holes



1 foro - 1 hole

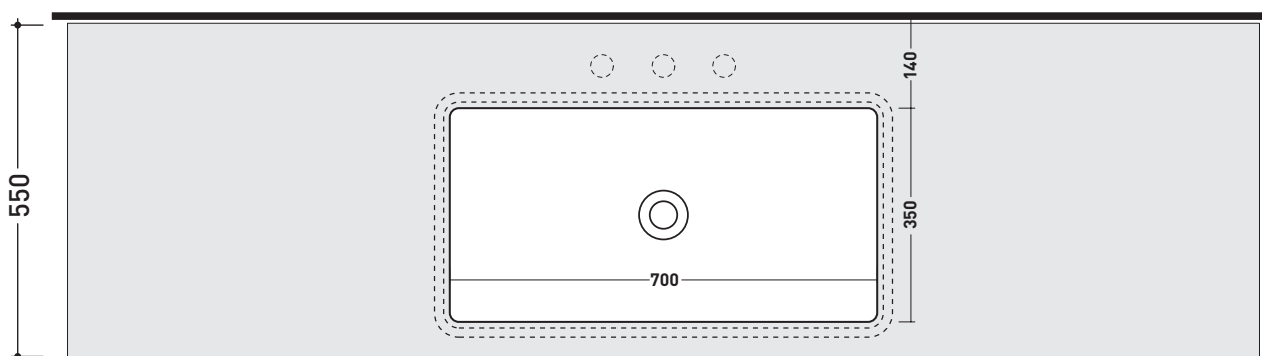


NO fori - NO hole

➔➔ 5 SCELTA MISURE / MEASURES



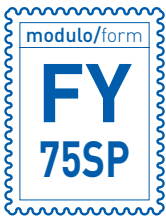
➔ **FLAMINIA.**



lavabo / basin
MW75SP



- **A** = misura interasse lavabo da sinistra / left distance of basin.
- **B** = misura interasse lavabo da destra / right distance of basin.
- **C** = misura totale della mensola / total length of the shelf.
- verificare sempre che / verify that: **A + B = C**.



MODULO PER LA REALIZZAZIONE DELLE MENSOLE **FLYMAX** A MISURA PER DOPPIO ART. **MW75SP**

FLYMAX CUSTOMIZED SHELVES FOR DOUBLE ART. **MW75SP** FORM



E' obbligatorio fotocopiare questa pagina, compilarla con cura e allegarla all'ordine.
It is compulsory to photocopy this page, carefully fill in and attach to the order.

➤➤ 1 DETTAGLI ORDINE / ORDER DETAILS

cliente - client

ordine - order n:

data - date:

ref.:

annotazioni - notes

➤➤ 2 SCELTA ARTICOLO / ITEM CHOICE

E' importante consultare prima la scheda tecnica relativa
It's important to consult before the technical detail

art. **FY75SP**

mensola / shelf da / from **190 a / to 250 cm**

➤➤ 3 SCELTA MATERIALE / MATERIAL SELECTION

PIETRALUCE

bianco - white

nero - black

rosa - pink

azzurro - light blue

grigio - grey

sabbia - sand

blu ultram. - marine blue

latte - milky white

beige - beige

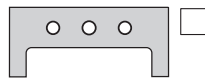
rosso cuoio - red

grafite - graphite

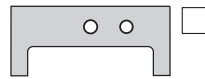
gr. lava - lava grey

➤➤ 4 SCELTA DETTAGLI / DETAIL SELECTION

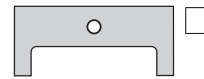
FORI RUBINETTERIA / TAP HOLES



3 fori - 3 holes



2 fori - 2 holes



1 foro - 1 hole



NO fori - NO hole

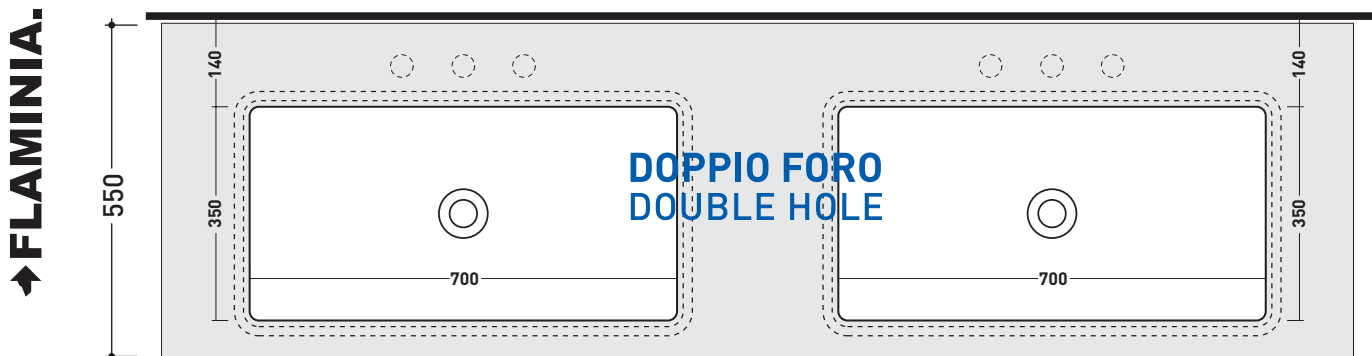
➤➤ 5 SCELTA MISURE / MEASURES

min 1900 / max 2500

min 500 / max 800

min 900 / max 1500

min 500 / max 800



lavabo / basin
MW75SP

lavabo / basin
MW75SP

A = mm B = mm C = mm

D = mm

- A = misura interasse lavabo da sinistra / left distance of basin.
- B = misura interasse lavabi / distance between basins.
- C = misura interasse lavabo da destra / right distance of basin.

- D = misura totale della mensola / total length of the shelf.
- verificare sempre che / verify that: **A + B + C = D.**