

design **PAOLA NAVONE**

2011

BL42L Boll 42

Countertop basin 42 cm

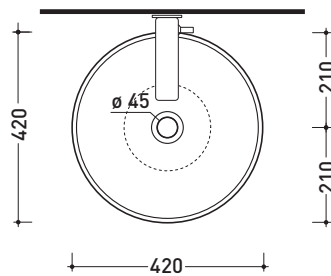
•WITHOUT OVERFLOW •WITHOUT TAP LEDGE

Complements: **Forty6 shelf (F6BL)**
Solid shelf (SLBL)
Make-Up bench (MKP150 - MKP180)
Compono System bench (CSM90 - CSM135R/L - CSP135R/L - CSP180D)
Line taps basin: ONE - NOKE' - SI - FOLD
Line accessories: TWO - HOOP - NOKE' - FOLD

Technical accessories: **Chrome siphon (SIFL/CR) - Telescopic chrome siphon (SIFL066)**
Stop & Go drain (PLSG)
CERAMIC Stop & Go drain (PLCE)
Two piece set chrome tap filters (RF026)

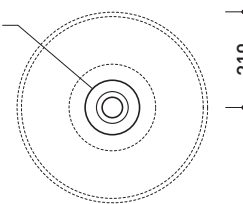
Package dim. **45 x 16,5 x 44 cm** | Weight **7 kg** | Pz. Pallet n° **24**

CE UNI EN 14688 - CL00 Dop-No14688

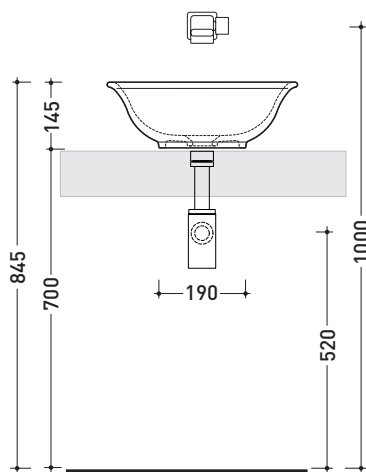


vista zenitale / zenital view

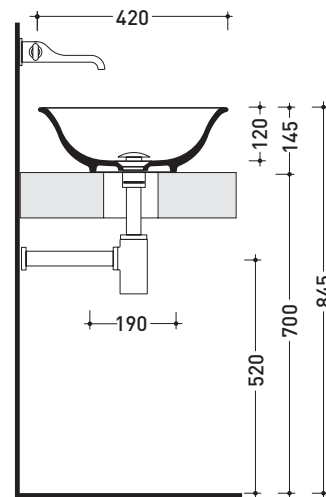
foro consigliato
sul piano Ø120
suggested hole
on the top Ø120



vista zenitale / zenital view



vista frontale / frontal view

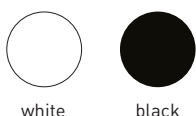


sezione longitudinale / section

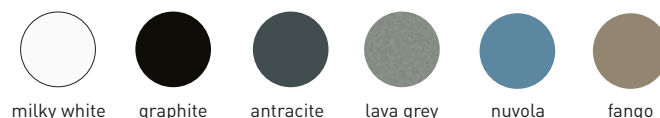
sizes in mm

Please consider a 2% tolerance on indicated measurements

CERAMIC: glossy finish



matt finish



iridescent finish



<http://www.ceramicaflaminia.it/en/lines/278-boll>

©ceramicaflaminiaspa - All rights reserved. Unauthorized copying, publication, reproduction as well as partial reproduction are prohibited

february 2017



design **PAOLA NAVONE**

2011

BL42L Deco' Boll

Countertop basin 42 cm with inside **DECOR 01**

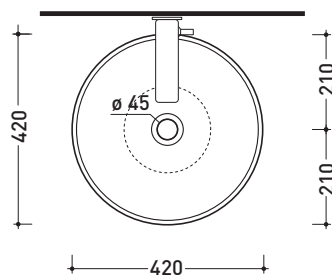
• WITHOUT OVERFLOW • WITHOUT TAP LEDGE

Complements: **Forty6 shelf (F6BL)**
Solid shelf (SLBL)
Make-Up bench (MKP150 - MKP180)
Compono System bench (CSM90 - CSM135R/L - CSP135R/L - CSP180D)
Line taps basin: ONE - NOKE' - SI - FOLD
Line accessories: TWO - HOOP - NOKE' - FOLD

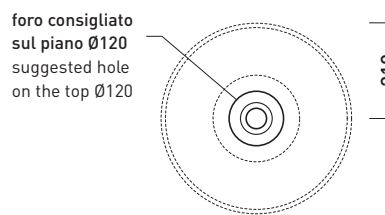
Technical accessories: **Chrome siphon (SIFL/CR) - Telescopic chrome siphon (SIFL066)**
Stop & Go drain (PLSG)
CERAMIC Stop & Go drain (PLCE)
Two piece set chrome tap filters (RF026)

Package dim. **45 x 16,5 x 44 cm** | Weight **7 kg** | Pz. Pallet n° **24**

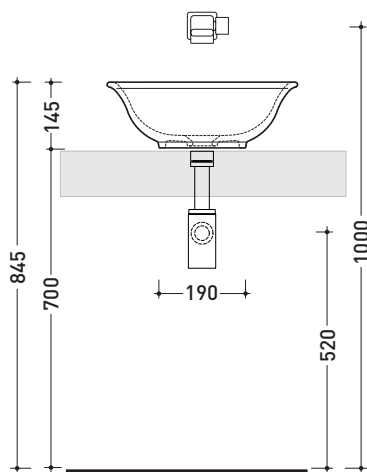
UNI EN 14688 - CL00 **Dop-No14688**



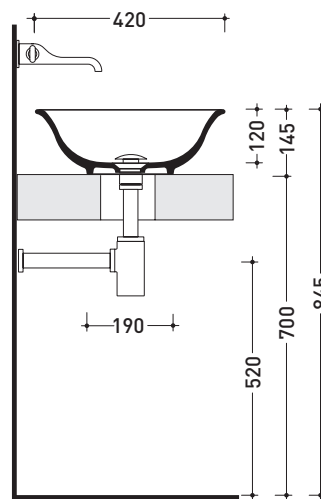
vista zenitale / zenital view



vista zenitale / zenital view



vista frontale / frontal view



sezione longitudinale / section

sizes in mm

Please consider a 2% tolerance on indicated measurements

CERAMIC: glossy finish



white / decor 01

inside **Decor 01**
 outside **WHITE**

<http://www.ceramicaflaminia.it/en/lines/278-boll>

©ceramicaflaminiaspa - All rights reserved. Unauthorized copying, publication, reproduction as well as partial reproduction are prohibited

february 2017



design **PAOLA NAVONE**

2011

BL42L Boll 42 METAL

Countertop basin 42 cm with **METAL** decor (Gold or Platinum)

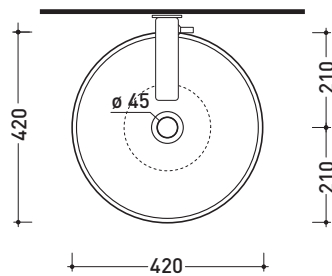
• WITHOUT OVERFLOW • WITHOUT TAP LEDGE

Complements: **Forty6 shelf (F6BL)**
Solid shelf (SLBL)
Make-Up bench (MKP150 - MKP180)
Compono System bench (CSM90 - CSM135R/L - CSP135R/L - CSP180D)
Line taps basin: ONE - NOKE' - SI - FOLD
Line accessories: TWO - HOOP - NOKE' - FOLD

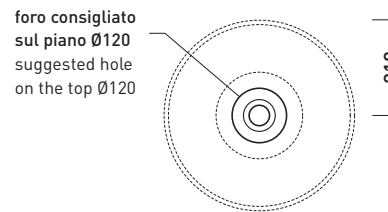
Technical accessories: **Chrome siphon (SIFL/CR) - Telescopic chrome siphon (SIFL066)**
Stop & Go drain (PLSG)
CERAMIC Stop & Go drain (PLCE)
Two piece set chrome tap filters (RF026)

Package dim. **45 x 16,5 x 44 cm** | Weight **7 kg** | Pz. Pallet n° **24**

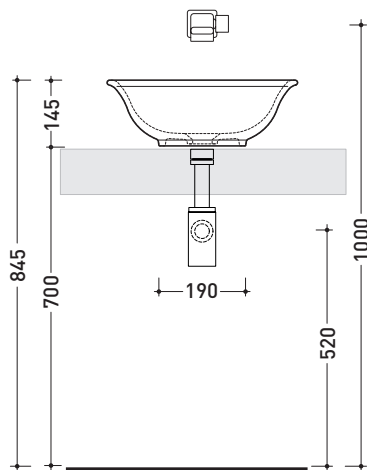
CE UNI EN 14688 - CL00 Dop-No14688



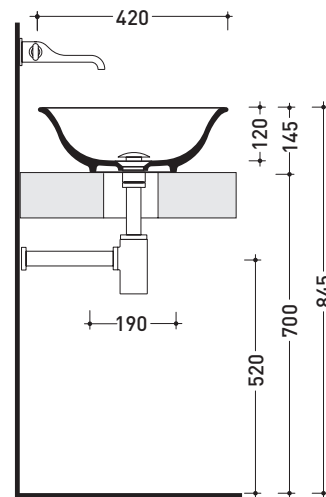
vista zenitale / zenital view



vista zenitale / zenital view



vista frontale / frontal view



sezione longitudinale / section

sizes in mm

Please consider a 2% tolerance on indicated measurements

CERAMIC: glossy finish



white / gold



white / platinum

inside **WHITE**
 outside **METAL**

<http://www.ceramicaflaminia.it/en/lines/278-boll>

©ceramicaflaminiaspa - All rights reserved. Unauthorized copying, publication, reproduction as well as partial reproduction are prohibited

february 2017



design **PAOLA NAVONE**

2011

BL44L Boll 44

Countertop basin 44 cm

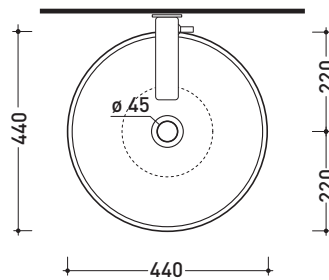
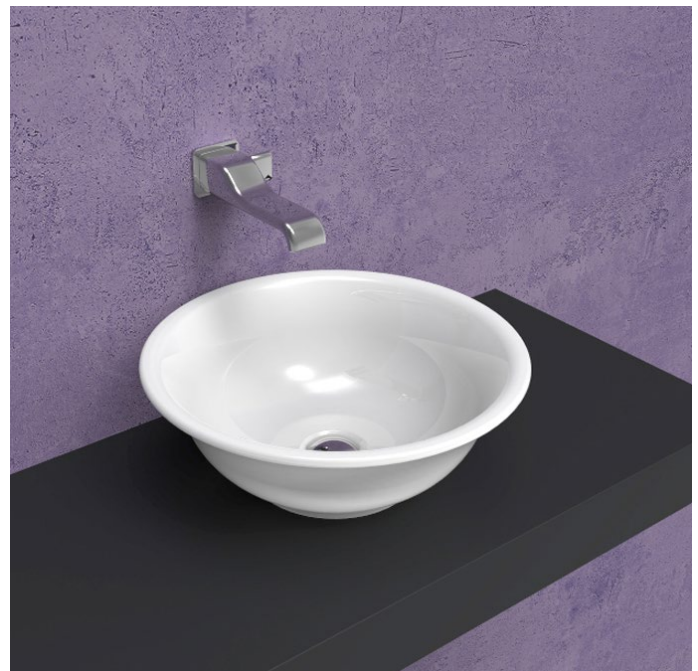
•WITHOUT OVERFLOW •WITHOUT TAP LEDGE

Complements: **Forty6 shelf (F6BL)**
Solid shelf (SLBL)
Make-Up bench (MKP150 - MKP180)
Compono System bench (CSM90 - CSM135R/L - CSP135R/L - CSP180D)
Line taps basin: ONE - NOKE' - SI - FOLD
Line accessories: TWO - HOOP - NOKE' - FOLD

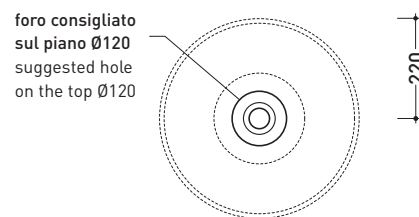
Technical accessories: **Chrome siphon (SIFL/CR) - Telescopic chrome siphon (SIFL066)**
Stop & Go drain (PLSG)
CERAMIC Stop & Go drain (PLCE)
Two piece set chrome tap filters (RF026)

Package dim. **45 x 16,5 x 44 cm** | Weight **8 kg** | Pz. Pallet n° **24**

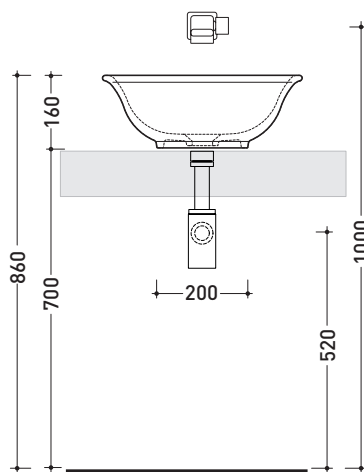
UNI EN 14688 - CL00 Dop-No14688



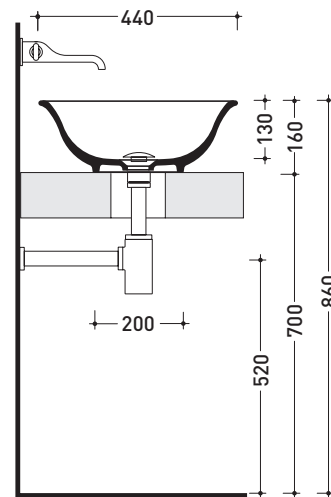
vista zenitale / zenital view



vista zenitale / zenital view



vista frontale / frontal view

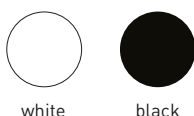


sezione longitudinale / section

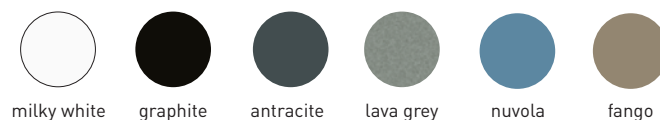
sizes in mm

Please consider a 2% tolerance on indicated measurements

CERAMIC: glossy finish



matt finish



iridescent finish



<http://www.ceramicaflaminia.it/en/lines/278-boll>

©ceramicaflaminiaspa - All rights reserved. Unauthorized copying, publication, reproduction as well as partial reproduction are prohibited

february 2017



design **PAOLA NAVONE**

2011

BL44L Deco' Boll

Countertop basin 44 cm with inside **DECOR 01**

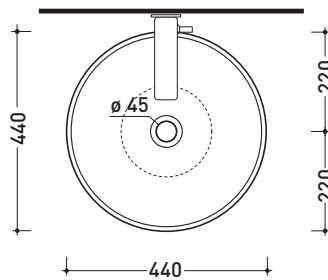
•WITHOUT OVERFLOW •WITHOUT TAP LEDGE

Complements: **Forty6 shelf (F6BL)**
Solid shelf (SLBL)
Make-Up bench (MKP150 - MKP180)
Compono System bench (CSM90 - CSM135R/L - CSP135R/L - CSP180D)
Line taps basin: ONE - NOKE' - SI - FOLD
Line accessories: TWO - HOOP - NOKE' - FOLD

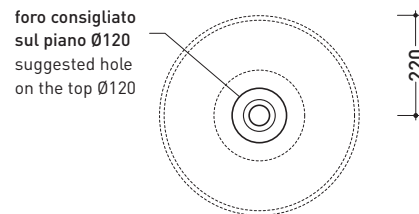
Technical accessories: **Chrome siphon (SIFL/CR) - Telescopic chrome siphon (SIFL066)**
Stop & Go drain (PLSG)
CERAMIC Stop & Go drain (PLCE)
Two piece set chrome tap filters (RF026)

Package dim. **45 x 16,5 x 44 cm** | Weight **8 kg** | Pz. Pallet n° **24**

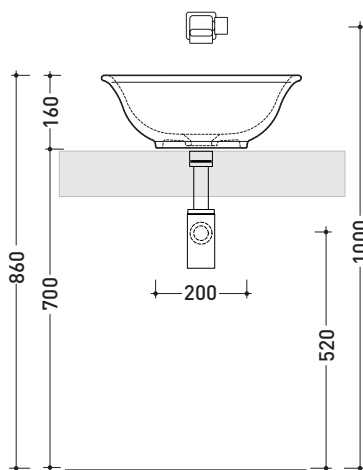
UNI EN 14688 - CL00 **Dop-No14688**



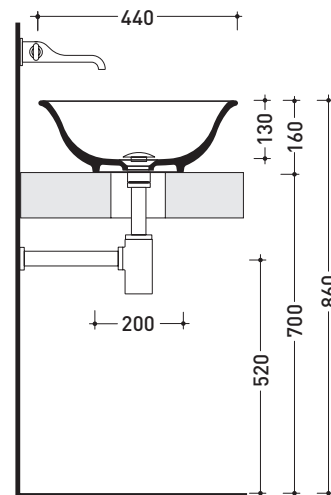
vista zenitale / zenital view



vista zenitale / zenital view



vista frontale / frontal view



sezione longitudinale / section

sizes in mm

Please consider a 2% tolerance on indicated measurements

CERAMIC: glossy finish



white / decor 01

inside **Decor 01**
 outside **WHITE**

<http://www.ceramicaflaminia.it/en/lines/278-boll>

©ceramicaflaminiaspa - All rights reserved. Unauthorized copying, publication, reproduction as well as partial reproduction are prohibited

february 2017



design **PAOLA NAVONE**

2011

BL44L Boll 44 METAL

Countertop basin 44 cm with **METAL** decor (Gold or Platinum)

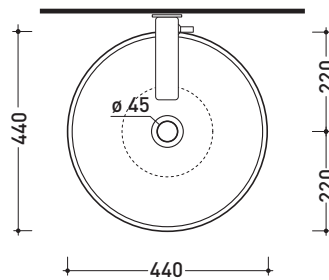
• WITHOUT OVERFLOW • WITHOUT TAP LEDGE

Complements: **Forty6 shelf** (F6BL)
Solid shelf (SLBL)
Make-Up bench (MKP150 - MKP180)
Compono System bench (CSM90 - CSM135R/L - CSP135R/L - CSP180D)
Line taps basin: ONE - NOKE' - SI - FOLD
Line accessories: TWO - HOOP - NOKE' - FOLD

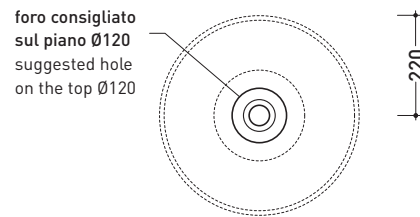
Technical accessories: **Chrome siphon** (SIFL/CR) - **Telescopic chrome siphon** (SIFL066)
Stop & Go drain (PLSG)
CERAMIC Stop & Go drain (PLCE)
Two piece set chrome tap filters (RF026)

Package dim. **45 x 16,5 x 44 cm** | Weight **8 kg** | Pz. Pallet n° **24**

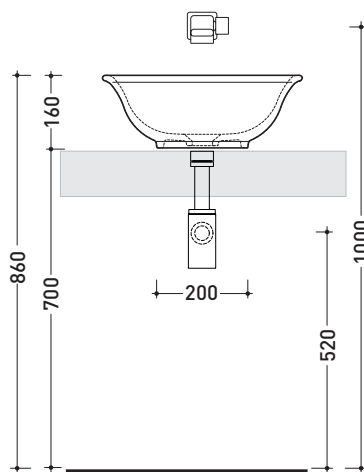
UNI EN 14688 - CL00 Dop-No14688



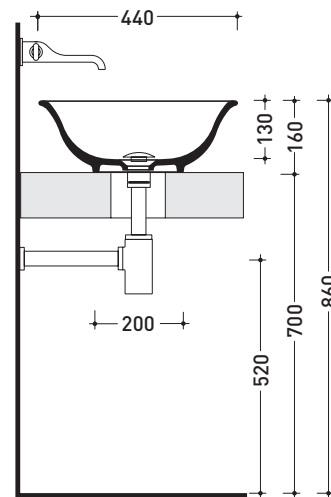
vista zenitale / zenital view



vista zenitale / zenital view



vista frontale / frontal view



sezione longitudinale / section

sizes in mm

Please consider a 2% tolerance on indicated measurements

CERAMIC: glossy finish



white / gold



white / platinum

inside **WHITE**
 outside **METAL**

<http://www.ceramicaflaminia.it/en/lines/278-boll>

©ceramicaflaminiaspa - All rights reserved. Unauthorized copying, publication, reproduction as well as partial reproduction are prohibited

february 2017



design **PAOLA NAVONE**

2011

BL56L Boll 56

Countertop basin 56 cm

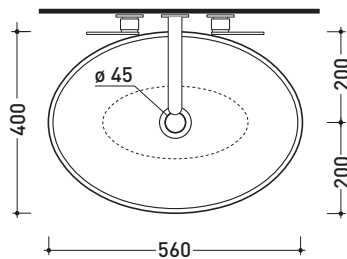
•WITHOUT OVERFLOW •WITHOUT TAP LEDGE

Complements: **Forty6 shelf (F6BL)**
Solid shelf (SLBL)
Make-Up bench (MKP150 - MKP180)
Compono System bench (CSM90 - CSM135R/L - CSP135R/L - CSP180D)
Line taps basin: ONE - NOKE' - SI - FOLD
Line accessories: TWO - HOOP - NOKE' - FOLD

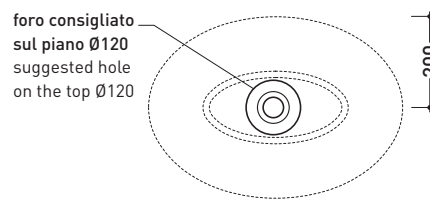
Technical accessories: **Chrome siphon (SIFL/CR) - Telescopic chrome siphon (SIFL066)**
Stop & Go drain (PLSG)
CERAMIC Stop & Go drain (PLCE)
Two piece set chrome tap filters (RF026)

Package dim. **56,5 x 43 x 18,5 cm** | Weight **10 kg** | Pz. Pallet n° **24**

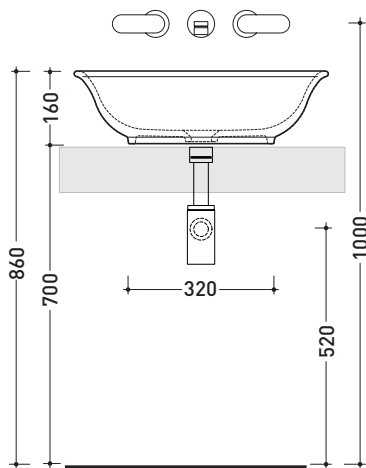
CE UNI EN 14688 - CL00 Dop-No14688



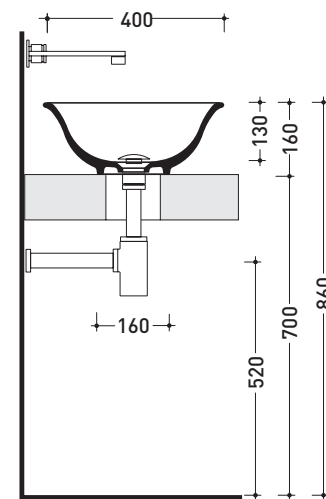
vista zenitale / zenital view



vista zenitale / zenital view



vista frontale / frontal view

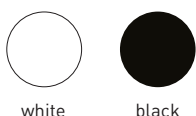


sezione longitudinale / section

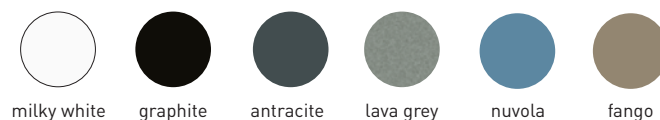
sizes in mm

Please consider a 2% tolerance on indicated measurements

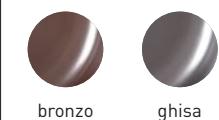
CERAMIC: glossy finish



matt finish



iridescent finish



design **PAOLA NAVONE**

BL56L Boll METAL

Countertop basin 56 cm with **METAL** decor (Gold or Platinum)

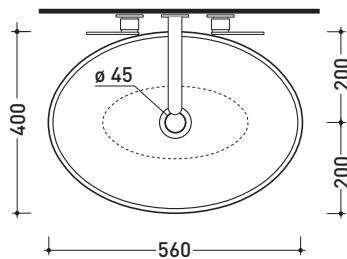
•WITHOUT OVERFLOW •WITHOUT TAP LEDGE

Complements: **Forty6 shelf** (F6BL)
Solid shelf (SLBL)
Make-Up bench (MKP150 - MKP180)
Compono System bench (CSM90 - CSM135R/L - CSP135R/L - CSP180D)
Line taps basin: ONE - NOKE' - SI - FOLD
Line accessories: TWO - HOOP - NOKE' - FOLD

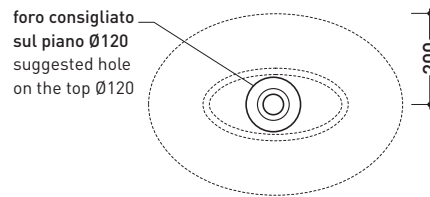
Technical accessories: **Chrome siphon** (SIFL/CR) - **Telescopic chrome siphon** (SIFL066)
Stop & Go drain (PLSG)
CERAMIC Stop & Go drain (PLCE)
Two piece set chrome tap filters (RF026)

Package dim. **56,5 x 43 x 18,5 cm** | Weight **10 kg** | Pz. Pallet n° **24**

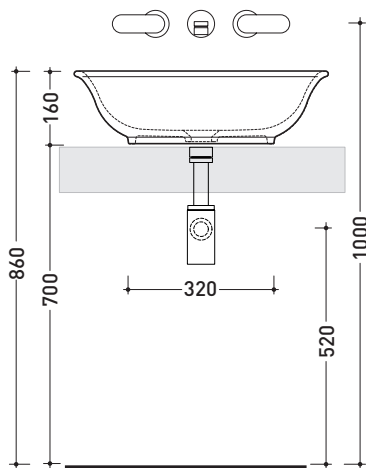
CE UNI EN 14688 - CL00 Dop-No14688



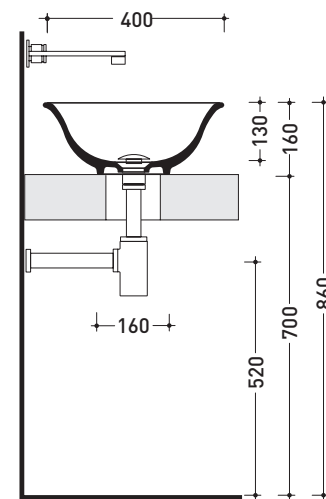
vista zenitale / zenital view



vista zenitale / zenital view



vista frontale / frontal view



sezione longitudinale / section

sizes in mm

Please consider a 2% tolerance on indicated measurements

CERAMIC: glossy finish



white / gold



white / platinum

inside **WHITE**
 outside **METAL**